

- DEADBOLTS
- CYLINDERS
- PADLOCKS
- Mortise •Rim

ASSA High Security Locks provide the advantage of guarding against unauthorized duplication and ensuring positive owner identification. ASSA's Key Control lets you control who has duplicate keys. Unlike conventional keys, the ASSA key has two sets of cuts; each with its own special coding to operate the cylinder locking mechanism. The unique side bar code is always cut and registered at the ASSA factory. Patented keyblanks are available only to professional locksmiths and distributors who can produce keys in accordance with ASSA's five levels of security.



ASSA® Twin V-10

Using the ASSA Twin 6000 for a foundation, the ASSA Twin V-10 is the next form of evolution for the high security cylinder. The 6000 and the V-10 share common features and components. Both use the same ASSA sidebar with the combination milled into it. Cylinder housings, bodies, tumblers and tailpieces are the same in both systems.

The new V-10 utilizes a new inner plug, that houses new side pins and side pin springs. The key that operates the V-10 is so unique that it has its own 17 year utility patent. These four components make up the improvements introduced in the new ASSA V-10 high security cylinder system.

The new V-10 keyblank has ten side cuts instead of the 6000's five. Mated with the new V-10 side pins, keying capabilities are increased several orders of magnitude. It is now possible to masterkey on the sidecode, providing masterkeying capabilities in the millions.

Because of the backward compatibility engineered into the ASSA Twin V-10, an existing ASSA Twin 6000 cylinder can be easily upgraded to the new system. By exchanging a 6000 plug with a V-10 plug, complete with new sidepins & side pin springs, the cylinder is automatically upgraded.

All other 6000 components, including the sidebar, are compatible with the V-10 system.

TUBULAR SECURITY DEADBOLTS

DEADBOLT 1" throw; Brass, with saw-resistant insert.
LOCKCASE High-quality tubular bolt assembly
LOCKFRONT 1" x 2 1/4"; square corner
STRIKEPLATE 1 1/8" x 2 3/4" security strike with long anchor screws, or 1 1/8" x 2 3/4" strike for hollow metal frames.

Twin V-10
Sub-Assembl
No Sidebar

332⁵⁰

Assembled
350⁰⁰

DOUBLE CYLINDER

Code	Backset	Finish
AA6000DC-3/4-605	2 3/4"	Bright Brass
AA6000DC-3/4-609	2 3/4"	Antique Brass
AA6000DC-3/4-624	2 3/4"	Dark Oxidized
AA6000DC-3/4-625	2 3/4"	Bright Chrome
AA6000DC-3/4-626	2 3/4"	Satin Chrome
AA6000DC-3/8-605	2 3/8"	Bright Brass
AA6000DC-3/8-609	2 3/8"	Antique Brass
AA6000DC-3/8-624	2 3/8"	Dark Oxidized
AA6000DC-3/8-625	2 3/8"	Bright Chrome
AA6000DC-3/8-626	2 3/8"	Satin Chrome

Twin 6000 Series
Sub-Assembled
No Sidebar

332⁵⁰

Assembled
350⁰⁰



Twin V-10
Sub-
Assembled
No Sidebar

236⁰⁰

Assembled
250⁰⁰

SINGLE CYLINDER

Code	Backset	Finish
AA6000-3/4-605	2 3/4"	Bright Brass
AA6000-3/4-609	2 3/4"	Antique Brass
AA6000-3/4-624	2 3/4"	Dark Oxidized
AA6000-3/4-625	2 3/4"	Bright Chrome
AA6000-3/4-626	2 3/4"	Satin Chrome
AA6000-3/8-605	2 3/8"	Bright Brass
AA6000-3/8-609	2 3/8"	Antique Brass
AA6000-3/8-624	2 3/8"	Dark Oxidized
AA6000-3/8-625	2 3/8"	Bright Chrome
AA6000-3/8-626	2 3/8"	Satin Chrome

Twin 6000 Series
Sub-Assembled
No Sidebar

236⁰⁰

Assembled
250⁰⁰



•CYLINDERS
•Key-in-Knob •Mortise •Rim

• PADLOCKS

KEY-IN-KNOB CYLINDERS

Twin
Assembled **98⁰⁰**
Sub-Assembled
No Sidebar **83⁵⁰**



ARROW

Standard and Heavy Duty. 6-pin
With two tailpieces.
AA65691-624 Dark Oxidized
AA65691-626 Satin Chrome

RUSSWIN/CORBIN

Standard Duty. New Style; with
tailpiece.
AA65652-624 Dark Oxidized
AA65652-626 Satin Chrome

FALCON - 107.00/92.50

Falcon Twin - 107.00/92.50
SAND X Series. Includes cap, pin,
spring and tall piece washer. Use
original Falcon Tailpieces.
AA65661-624 Dark Oxidized
AA65661-626 Satin Chrome

V-10
Assembled **98⁰⁰**
V-10 Sub-
Assembled
No Sidebar **83⁵⁰**

SARGENT

Heavy Duty 7,8,9 Line.
AA65672-624 Dark Oxidized
AA65672-626 Satin Chrome

SARGENT

Standard Duty 6-line. Two tail-
piece included.
AA65673-624 Dark Oxidized
AA65673-626 Satin Chrome

SCHLAGE

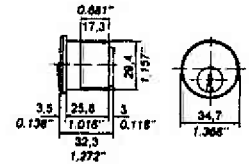
Standard and Heavy Duty. 6 pin.
Includes cap, pin, spring and three
length breakoff tail
AA65611-605 Bright Brass
AA65611-624 Dark Oxidized
AA65611-625 Bright Chrome
AA65611-626 Satin Chrome

YALE

Standard and Heavy Duty 6 pin.
AA65631-624 Dark Oxidized
AA65631-626 Satin Chrome

MORTISE CYLINDERS

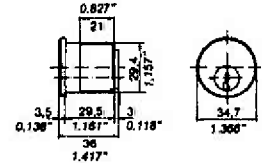
Assembled **99⁰⁰**
Sub-Assembled
No Sidebar **82⁵⁰**



TWIN: 99.00/82.50
ADAMS RITE CAM

Code	Length	Finish
AA6551-1-605	1 1/8"	Bright Brass
AA6551-1-624	1 1/8"	Dark Oxidized
AA6551-1-625	1 1/8"	Bright Chrome
AA6551-1-626	1 1/8"	Satin Chrome

Assembled **107⁰⁰**
Sub-Assembled
No Sidebar **90⁵⁰**



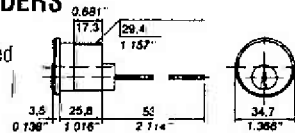
TWIN: 107.00/90.50
YALE CAM

Code	Length	Finish
AA6552-5-605	1 1/4"	Bright Brass
AA6552-5-624	1 1/4"	Dark Oxidized
AA6552-5-625	1 1/4"	Bright Chrome
AA6552-5-626	1 1/4"	Satin Chrome

==OTHER CAMS AVAILABLE==

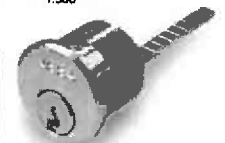
MORTISE/RIM CYLINDERS

With Horizontal Tailpiece
Assembled **110⁰⁰**
Sub-Assembled
No Sidebar **95⁵⁰**



TWIN: 110.00/95.50

Code	Length	Finish
AA6551-H-605	1 1/8"	Bright Brass
AA6551-H-624	1 1/8"	Dark Oxidized
AA6551-H-626	1 1/8"	Satin Chrome



KEY RETAINING PADLOCKS

Rust-resistant case-hardened steel shackle. The locking mechanism has two case-hardened steel balls.
No external rivets or screws. With weep holes for positive water drainage and protection from ice buildup. Supplied with two keys.



Assembled **225⁰⁰**
Sub-Assembled
No Sidebar **210⁵⁰**

Padlock #3
Case Hardened Steel,
Chrome Plated Barrel
AA65391B

TWIN: 210.50/225.00

Assembled **115⁰⁰**
Sub-Assembled
No Sidebar **100⁵⁰**



Padlock #2
Extruded Brass,
Chrome Plated Barrel
AA65191B

AA65191LB Extended Shackle 110.00

TWIN: 115.00/100.50

Sub-Assembled
No Sidebar **360⁵⁰**



Padlock #5
Extruded Brass
Chrome Plated Barrel
AAV65591SB

TWIN: AAV65591SB
360.50

**HOCKEY PUCK
SHACKLE LESS
PADLOCK**



AAV6540SNS
100.00

CAM LOCKS

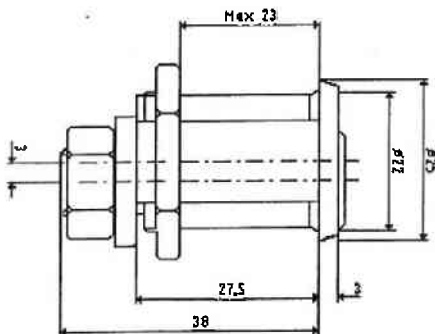


Listed with U.L. as U.L.437. The beefy design makes it perfect for inner safe doors and compartments, cash storage containers, drug carts, gun cabinets, alarm control panels and key storage cabinet.

These cam locks can be master keyed into any existing ASSA master key system without the loss of any combinations. ASSA cam locks use all nine bottom pins and all eight master pins. They use special hollowed out driver pins so that the springs collapse within the driver pin. This enables a six pin ASSA key to enter and operate the lock.

The key retaining cam lock rotates 90° and captures the key until the key is rotated back to the locked position.

The non-key retaining cam lock allows you to rotate the key 360° and remove the key leaving the cam lock in the unlocked position. The cam only rotates 90° and is adjustable to lock in four different positions.

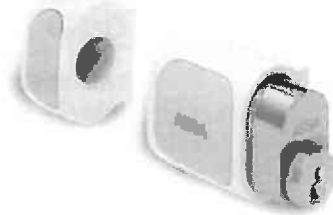


SubAssembled, Satin Chrome Finish

AAV6571-SNS-626	90° Turn	45.50
AAV7571-SNS-626	360° Turn	50.50
AA6571-SNS-626	90° Turn	45.50
AA7571-SNS-626	360° Turn	50.50

AACLK-1 Cam Lock Catch Kit (2 ea. of 31 Cam Catches)
 115.00

UTILITY LOCK



This is truly an innovative, unique lock assembly. Rugged cast aluminum housing and strike assembly holds a solid brass six pin high security cylinder. This lock is used for securing sliding glass or wood doors, storage cabinets and windows. This lock can be keyed into any ASSA master key system or used as a stand-alone locking device. The body is finished with baked on white enamel paint.

This assembly locks with just the push of your thumb or finger, as easy as locking a filing cabinet. The Utility Lock comes with all of its own mounting hardware for standard wood frame applications and shims for uneven surfaces.

- 6 pin high security lock
- Sidebar controlled product
- Non-key retaining cylinder
- Can be master keyed

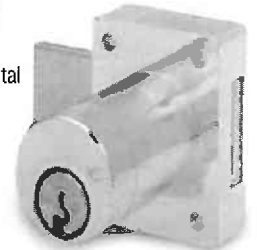
Cast aluminum housing
 Cast aluminum rim and mortise strike
 Key and bottom and master pins Nickel Silver
 Driver and side pins Stainless Steel

SubAssembled

AAV7680-SNS	70.50
AA7680-SNS	70.50

CABINET LOCKS

700AS-138
 Cabinet Lock - Horizontal



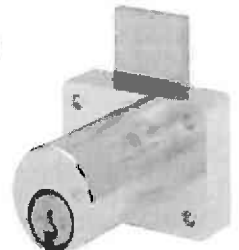
Cylinder mechanism, setscrew for quick rekeying.
 Mounting thickness 7/8" to 1 3/8".
 Cylinder housing diameter 1 1/8".
 ASSA UL437 high security cylinder.
 Bolt material - brass.

SubAssembled, Satin Chrome Finish

AAV700AS-138-SNS-626	92.50
AA700AS-138-SNS-626	92.50

800AS-138

Cabinet Lock - Vertical



Cylinder mechanism, setscrew for quick rekeying.
 Mounting thickness 1 1/8" to 1 3/8".
 Cylinder housing diameter 1 1/8".
 ASSA UL437 high security cylinder.
 Bolt material - brass.

SubAssembled, Satin Chrome Finish

AAV800AS-138-SNS-626	92.50
AA800AS-138-SNS-626	92.50

850AS-078

Deadlocking Desk Lock



Cylinder mechanism, setscrew for quick rekeying.
 Mounting thickness 7/8" to 1 3/8".
 Cylinder housing diameter 1 1/8".
 ASSA UL437 high security cylinder.
 Bolt material - brass.

SubAssembled, Satin Chrome Finish

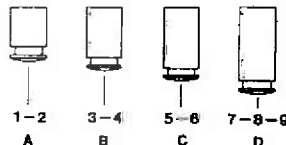
AAV850AS-078-SNS-626	7/8"	113.50
AA850AS-078-SNS-626	7/8"	113.50
AAV850AS-138-SNS-626	1 3/8"	115.50
AA850AS-138-SNS-626	1 3/8"	115.50

SPOOL DRIVER PINS

32⁰⁰ /bag

Bags of 100

Code	No.
AA867066	1-2
AA867067	3-4
AA867068	5-6
AA867069	7-8-9



MASTER PINS

31⁰⁰ /bag

Bags of 100

Code	No.	Code	No.
AA867070	1	AA867074	5
AA867071	2	AA867075	6
AA867072	3	AA867076	7
AA867073	4	AA867077	8

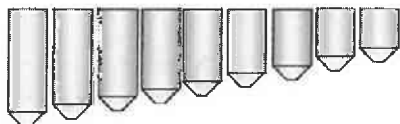


BOTTOM PINS

30⁰⁰ /bag

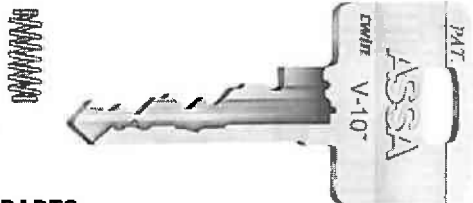
Bags of 100.

Code	No.
AA867078	1
AA867079	2
AA867080	3
AA867081	4
AA867082	5
AA867083	6
AA867084	7
AA867085	8
AA867086	9



**KEYBLANK WITH
 SIDEBAR CODE**

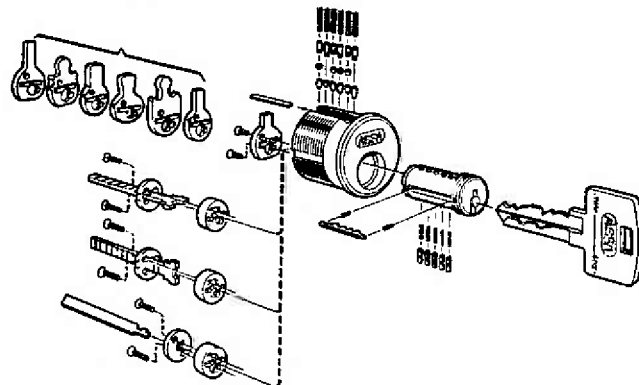
TWIN V-10
 AA867091 AA250694
550 550



MISCELLANEOUS PARTS

Code	Description	Qty.	Price
AA267008	SIDEBAR	25/bag	9.00 ea
AA867015	SIDE PIN	50/bag	65.00/bag
AA867065	CYLINDER SPRING	100/bag	32.00/bag
AA867087	SIDE PIN SPRING	100/bag	20.00/bag
AA867088	SIDE BAR SPRING	100/bag	20.00/bag
AA867090	PHILLIPS SCREW	100/bag	135.00/bag
AA867450	RIM TAILPIECE KIT Horizontal and Vertical		22.00/ea
AA867451	RIM TAILPIECE KIT Lazy Motion		22.00/ea
AA868141	CLOSING STRIP Mortise Rim Key-in-Knob	100/bag	66.00/bag
AA868231	RETAINING RING, CYLINDER Plug		.75 ea
AA869018	TWIN CUTTER WHEEL FOR HPC1200		465.00 ea
AA969020	TWIN CODE CARD FOR HPC1200CM		45.00 ea

ASSA 6000 MORTISE AND RIM CYLINDERS



The ASSA Mortise cylinder can be assembled utilizing one of eight different cams.

The 1-1/8" (6551) cylinder housing is universal in that it is manufactured to work both as mortise or rim cylinder. The housing is both threaded for mortise and tapped for rim screws. Mortise cams and rim tails have universal fittings.

The 1-1/4" (6552) cylinder housing is not tapped for rim installation.

Rim cylinder screws and mounting plates are available as an option.

All Cylinders are UL Listed and can be ordered COMP(with two keys), SUB(with sidebar) or SNS(without sidebar).

Order the appropriate sidebar and key blank separately to assemble to your needs.

CAMS	1	3	5
5.50	5.50	5.50	5.50
AA867445 A/R	AA867446 Corbin Cloverleaf	AA872610 Yale (standard)	
6.00	5.50	14.00	6
AA867447 Corbin Beavertail	AA867452 Sargent (offset)	AA867453 Schlage L	
14.00	14.00		8
AA805412 Segal / Corbin finger	AA806471 Jumbo Corbin Cam		
		ALL CAMS ARE PACKED IN BAGS OF 10	