



•DOOR COORDINATORS •CARRY BARS
•Stop-Applied •Gravity

600 SERIES DOOR COORDINATORS

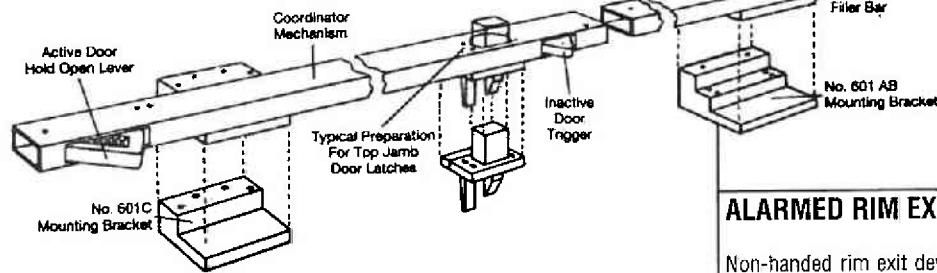
Stop Applied. Non-Handed. Prime Coat.

Patented DCI-designed original stop-to-stop applied coordinating device which provides a smooth, quiet, invisible and tamper-proof means of controlling the closing sequence of active and inactive doors.

Widely used to control closing cycles of active doors equipped with or without astragals or rabbeted door edges, and inactive doors equipped with vertical rod exit devices or automatic and self-latching flush bolts.

Code	Total Door Width	Price
DC635-654	34" - 53"	92.00
DC655-672	54" - 72"	95.00
DC673-684	73" - 84"	97.00
DC685-696	85" - 96"	101.00
DCL696-L6112	96" - 112"	112.00

SPECIFY DOOR WIDTH WHEN ORDERING

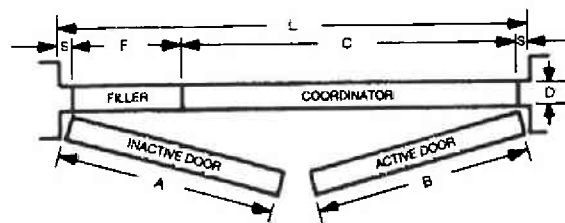


Coordinator mechanisms are manufactured in four different series, designed to accommodate a wide range of jamb openings.

COORDINATOR SERIES ORDER NUMBER CHART - EQUAL PAIR OF DOORS						
Series Number	Range of Jamb Opening Width Dim. L	Mechanism Length Dim. C	Door Widths		Dim. A + Dim. B = Jamb Opening Dim. L	Series No. + Dim. L = Coord. Order No.
			Active Dim. A	Inactive Dim. B		
N-6	34" thru 56"	32"	18"	18"	36"	N-636
NX-6	44" thru 76"	42"	24"	24"	48"	NX-648
G	54" thru 96"	52"	36"	36"	72"	672
L-6	62" thru 112"	60"	54"	54"	108"	L6108

COORDINATOR SERIES ORDER NUMBER CHART - UNEQUAL PAIR OF DOORS*						
Series Number	Range of Jamb Opening Width Dim. L	Mechanism Length Dim. C	Door Widths		Dim. A + Dim. B = Jamb Opening Dim. L	Series No. + Dim. L + ACT + Dim. A = Coord. Order No.
			Active Dim. A	Inactive Dim. B		
NX6	44" thru 76"	42"	36"	12"	48"	NX 648 ACT 36
G	54" thru 96"	52"	48"	24"	72"	672 ACT 48

* Unequal pairs: Use same order number as equal pairs plus suffix (ACT) and Active Door Dimensions. Note: Jamb opening widths determined with Dim. S 5/8". Advise if stop depth is other than 5/8".



500 SERIES DOOR COORDINATORS

Gravity. Non-Handed

UL Listed devices used to coordinate the closing of door pairs in jamb openings 36" to 104" wide. Both the mechanism and inactive door brackets are cast of solid brass. Roller strike on top of the inactive door is wrought stainless steel, brass or bronze.

Overall projection of the coordinator arm is 7", and the rubber roller at its end cushions the contact of the active door when it closes. The reversible nylon roller which lifts the coordinator arm insures smooth, long-lasting operation. A curved lip roller strike is supplied with all devices.

Compatible for use with DCI manual, self-latching and automatic flush bolts, Conforms to ANSI/HBMA 156.3 1989, Type 21.

Code	Finish	Price
DC500-US26D	Satin Chrome	80.00
DC500-US3	Bright Brass	80.00



ALARMED RIM EXIT DEVICE 1200 SERIES

Non-handed rim exit device with a unique latch and strike configuration which provides the most secure latching available today, with the safety of emergency egress, and an alarm module for security requirements. It's simple, heavy-duty assembly is made from stainless and tempered carbon steel for long-lasting, trouble-free, high-frequency service.

1200 Series is designed to be a single stock item for installation on all three-foot wide doors, including narrow line aluminum, pre-cut stock metal and pre-cut or solid wood.

Latch release meets all ANSI safety standards. Supplied without cylinder. UL listed Grade 1. UL Fire rated 3 hours.



Excellent for narrow stile doors!

DC1210A-313	Oil Rubbed Bronze	415.00
DC1210A-US28	Satin Aluminum	405.00

CARRY BARS

For 600 Series and 500 Series Door Coordinators.

Used when it is possible to open the inactive door before the active door.

Not required when the inactive door is furnished with DCI Series Flush Bolts.

Code	Finish	Price
DCCB-PC	Prime Coat	18.50
DCCB-US26D	Satin Chrome	28.00
DCCB-US3	Bright Brass	28.00





AskYourLocksmith.com
Lancaster, Pennsylvania
Phone 717-392-6333

•FLUSH BOLT
•Automatic •Manual
• Self-Latching

AUTOMATIC FLUSH BOLTS (SELF-LATCHING)

Opening active door automatically retracts top and bottom bolts. Closing the active door automatically extends top and bottom bolts 3/4" into the frame and sill strikes, locking inactive door. Patented free floating cams require only a maximum of 5 lbs. closing force on the active door to extend both the top and bottom bolts. Special override feature prevents damage to doors and bolts if ever the bolt heads are prevented from entering either the top or bottom strike. Adjustable bolt head rods can be vertically adjusted 1/2" for unusual clearances.

WOOD DOORS LABELED B, C, D AND E

**TOP BOLT 905
SELF LATCHING**
Non-handed.

Automatically engages curved lip strike every time the inactive door is closed. Bolt remains engaged until retracted by depressing plunger on the face of the bolt.

DC905-US26D
Satin Chrome

DC905-US3
Polished Brass

79²⁰

SET OF 940 BOLTS-AUTOMATIC

Non-handed.
Conforms to ANSI/BHMA 156.3, Type 27.
DC942-US26D Satin Chrome
DC942-US3 Polished Brass

138⁰⁰

SET OF 905 AND 940 BOLTS

DC945-US26D Satin Chrome
DC945-US3 Polished Brass

138⁰⁰

**BOTTOM BOLT 940
AUTOMATIC**

Non-handed. Engages sill strike only when active door is closed. When active and inactive doors are closed, the top and bottom bolts are engaged.

DC940-US26D
Satin Chrome

DC940-US3
Polished Brass

79⁰⁰

#940

Non-handed
Single Bolt

For use in both top and bottom applications.

Order in pairs for top/bottom installations.

**METAL DOORS
LABELED A, B, C, D, AND E**

TOP BOLT 805
Non-handed.

Automatically engages curved lip strike every time the inactive door is closed. Bolt remains engaged until retracted by depressing plunger on the face of the bolt. 1 1/2" vertical adj.

DC805-US26D
Satin Chrome

DC805-US3
Polished Brass

64⁵⁰

BOTTOM BOLT 840
Non-handed.

Engages sill strike only when active door is closed. When active and inactive doors are closed, the top and bottom bolts are engaged.

DC840-US26D
Satin Chrome

DC840-US3
Polished Brass

64⁰⁰



SET OF 805 & 840 BOLTS

Conforms to ANSI/BHMA 156.3, Type 25, ANSI Curved Lip Strike
DC845-US26D Satin Chrome
DC845-US3 Polished Brass

130⁰⁰

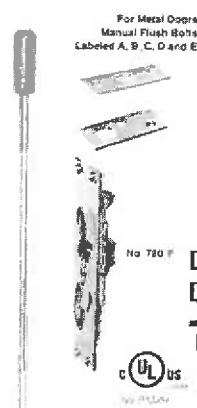
SET OF 840 BOLTS

DC842-US26D Satin Chrome
DC842-US3 Polished Brass

130⁰⁰

MANUAL FLUSH BOLTS

Solid Brass or Bronze Construction



For Wood Doors
Manual Bolts
Labeled B, C, D and E



No. 790 F

DC780F-US26D

DC780F-US3

18⁰⁰

DC790F-US26D

DC790F-US3

DC790F-US10

26⁵⁰



960 NON-HANDED AUTOMATIC FLUSH BOLT

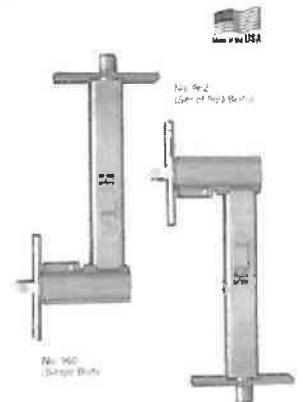
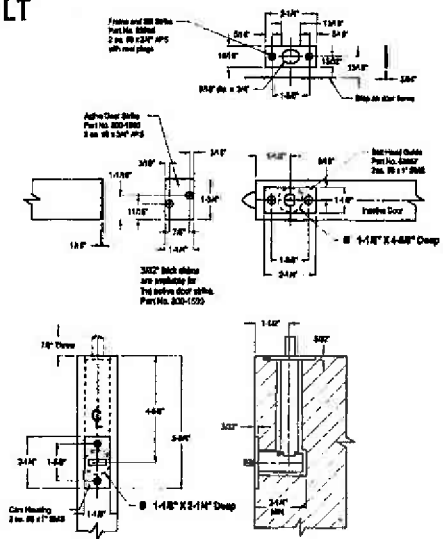
- Durable, tested over 1 Million Cycles
- Smaller profile adds stability to the door
- Easier preparation, only two 1 1/8" diameter holes
- Preparation prevents the veneer from splitting at the corners of the door
- Quiet and smooth activation
- Less noticeable, only 1 1/8" x 2 1/4" trim plate

Fully Automatic: Opening active door automatically retracts top and bottom bolts. Closing active door automatically extends top and bottom bolts into frame and sill strikes, locking inactive door.

Non-Handed: Automatic flush bolts are non-handed. It is not necessary to reverse either top or bottom bolt.

Override Feature: Prevents damage to doors or bolts should bolt heads be prevented from entering top or bottom strike.

Low Closing Force: ADA Compliant.



DC960-US3	Single Automatic Flush Bolt	86.00
DC960-US26D	Single Automatic Flush Bolt	86.00
DC962-US3	Set of Automatic Flush Bolts	142.00
DC962-US26D	Set of Automatic Flush Bolts	142.00

DynaLock Corp.

2011 SERIES

- 1200 lb. Holding Force
- Field Selectable 12VDC, 24VDC, 12VAC, 24VAC
- 10 Year Limited Warranty



Single Outswing Door: 1 lock, 1 armature
DL2011 382.00



Single Inswing Door: 1 lock, 1 armature, 1 'Z' bracket
DL2011 TJ20 490.00



Pair Outswing Doors with No Vertical Center Mullion:
 1 dual lock, 2 armatures
DL2022 764.00

3000 SERIES

- 1500 lb. Holding Force
- Field Selectable 12VDC, 24VDC, 12VAC, 24VAC
- One Piece Housing
- Solid State Protection



Single Outswing Door: 1 lock, 1 armature
DL3000 420.00



Two 3000 Locks Mounted on Dual Fas-Trak 22" Long
 for a Pair of Doors with no Vertical Center Mullion.
DL3002 840.00

3101B SERIES 1500 LB. DELAY EGRESS

Delay egress electromagnetic locks, surface mounted for outswing single or double doors. Non-handed.

3"D x 2 3/4"H x 11"L

Multi-voltage field selectable
 12/24 VAC/VDC



DL3101B Single Delay Egress Lock Outswing 1050.00

6451 EXIT SENSOR BAR

Non-latching, non-handed exit sensor bar for use with electromagnetic lock to provide immediate, single-motion egress. Furnished with power transfer from door to frame. Not to be used with electric deadbolt locks.



EXIT SENSOR BAR
 SERIES 6450
 Releases an electric lock when activated by any means including touch, stepping carts, runners, wheelchairs, or any other ADA device.

DL6451-US10B	Dark Bronze	398.00
DL6451-US28	Aluminum	360.00