



### 960 NON-HANDED AUTOMATIC FLUSH BOLT

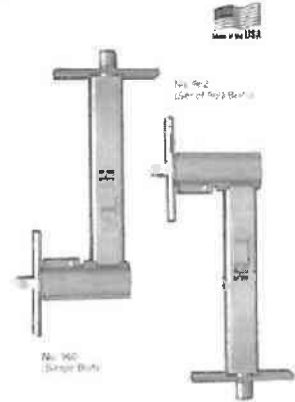
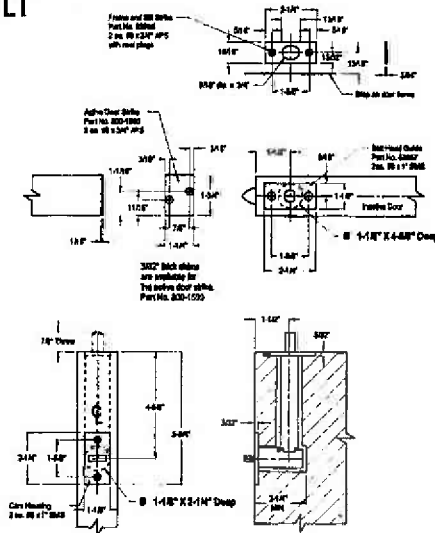
- Durable, tested over 1 Million Cycles
- Smaller profile adds stability to the door
- Easier preparation, only two 1 1/8" diameter holes
- Preparation prevents the veneer from splitting at the corners of the door
- Quiet and smooth activation
- Less noticeable, only 1 1/8" x 2 1/4" trim plate

**Fully Automatic:** Opening active door automatically retracts top and bottom bolts. Closing active door automatically extends top and bottom bolts into frame and sill strikes, locking inactive door.

**Non-Handed:** Automatic flush bolts are non-handed. It is not necessary to reverse either top or bottom bolt.

**Override Feature:** Prevents damage to doors or bolts should bolt heads be prevented from entering top or bottom strike.

**Low Closing Force:** ADA Compliant.



- DC960-US3 Single Automatic Flush Bolt 86.00
- DC960-US26D Single Automatic Flush Bolt 86.00
- DC962-US3 Set of Automatic Flush Bolts 142.00
- DC962-US26D Set of Automatic Flush Bolts 142.00

## DynaLock Corp.

### 2011 SERIES

- 1200 lb. Holding Force
- Field Selectable 12VDC, 24VDC, 12VAC, 24VAC
- 10 Year Limited Warranty



Single Outswing Door: 1 lock, 1 armature  
**DL2011 382.00**



Single Inswing Door: 1 lock, 1 armature, 1 'Z' bracket  
**DL2011 TJ20 490.00**



Pair Outswing Doors with No Vertical Center Mullion:  
 1 dual lock, 2 armatures  
**DL2022 764.00**

### 3000 SERIES

- 1500 lb. Holding Force
- Field Selectable 12VDC, 24VDC, 12VAC, 24VAC
- One Piece Housing
- Solid State Protection



Single Outswing Door: 1 lock, 1 armature  
**DL3000 420.00**



Two 3000 Locks Mounted on Dual Fas-Trak 22" Long  
 for a Pair of Doors with no Vertical Center Mullion.  
**DL3002 840.00**

### 3101B SERIES 1500 LB. DELAY EGRESS

Delay egress electromagnetic locks, surface mounted for outswing single or double doors. Non-handed.

3"D x 2 3/4"H x 11"L

Multi-voltage field selectable  
 12/24 VAC/VDC



**DL3101B Single Delay Egress Lock Outswing 1050.00**

### 6451 EXIT SENSOR BAR

Non-latching, non-handed exit sensor bar for use with electromagnetic lock to provide immediate, single-motion egress. Furnished with power transfer from door to frame. Not to be used with electric deadbolt locks.



EXIT SENSOR BAR  
 SERIES 6450  
 Releases an electric lock when activated by any means including touch, stepping carts, gurneys, wheelchairs, or any other ADA device.

- DL6451-US10B Dark Bronze 398.00**
- DL6451-US28 Aluminum 360.00**