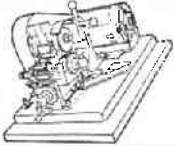




FRAMON #2 CODE MACHINE 110V or 12V

The Framon #2 comes with everything you need to originate almost any cylinder key in use today—including four cutters, five spacing blocks, dial calipers, the latest Depth & Space Manual, and a demonstration video. The #2 features unsurpassed accuracy .0005", all aluminum and steel construction, and a one-year, parts, labor and freight warranty.



FRA2
4,590⁰⁰

NEW #2D CODE MACHINE w/DIGITAL DISPLAY

Readings on an electronic digital display. Still gets the incredible .0005" accuracy.

Genericode ME comes standard with the machine.

FRA2D
4,590⁰⁰



FRA-2001 COMPUTER DRIVEN CODE MACHINE

The FRA-2001 is completely controlled through a serial cable by our Genericode ME software. The machine has no keypad or identification numbers to be confused by when trying to cut a key. Once information is sent, the machine can cut a six-pin key in about 15 seconds. The two servo motors are covered by a two-year warranty, and the control box is covered by a lifetime warranty. Ball screws and sealed ball bearings are used for smooth motion on both axes. A reversible vise is included with the machine, complete with shoulder and tip stops. The FRA-2001 does not make angled cuts for Medeco and Emhart.



Laptop not included

Dimensions: 14"W x 15"D x 11"H
 Weight: 65 lbs.

FRA-2001
10,390⁰⁰

EXPRESS™ SEMI-AUTOMATIC DUPLICATOR 110V

The Express™ quickly and accurately duplicates almost any cylinder key effortlessly. Built in tip stops for shoulderless keys eliminates the need for key stops. When cutting Best® keys, simply flip the tip stop over and tighten the thumb screws.

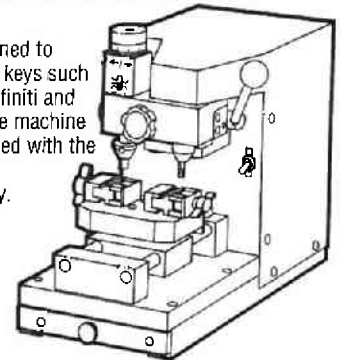
Rod wipers are include. During cutting, these wipers keep shavings out of the guide rod housing, preventing jamming of the yoke assy.



FREXP1
3,190⁰⁰

SIDEWINDER HIGH SECURITY KEY DUPLICATOR 110V or 12V

The compact Framon Sidewinder is designed to easily duplicate automotive high security keys such as Mercedes 2 & 4 track, BMW, Lexus, Infiniti and Volvo. Dimple keys can also be cut on the machine with optional kits. Four cutters are included with the machine. The Sidewinder is backed by a one-year, parts, labor and freight warranty.

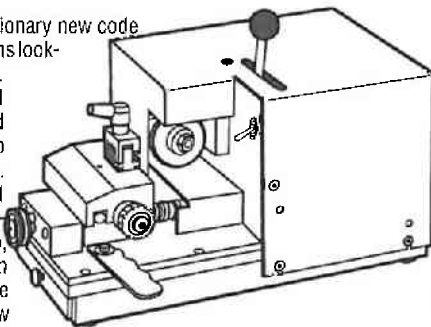


FRSD-1
4,398⁰⁰

KX-1 CODE MACHINE 110V or 12V

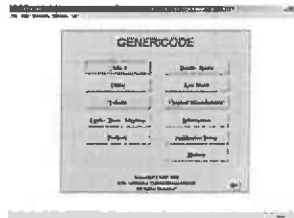
The KX-1 is Framon's revolutionary new code machine designed for locksmiths looking for speed and accuracy. The KX-1 utilizes depth and space cams and a spring loaded carriage to cut keys accurate to .0005" in about 15 seconds. Cams are available for the KX-1 for manufacturers such as Arrow, Assa, Best, Kaba, Medeco, Sargent, and Schlage. To switch from one manufacturer to the next, simply remove a screw and install the new cam.

The KX-1 comes with one set of cams and the proper cutter at time of purchase.



FRKX-1-SC (Schlage, inc. Primus)
4,198⁰⁰

GENERICODE™ ME



- Includes:
- General Code Program
 - Utility/Vehicle/Motorcycle/Padlock Programs
 - Key Blank Search
 - Depth and Space Program
 - Information Program
 - Locksmith Ledger Index
 - Progression Program
 - History Feature

More Than Just a Code Lookup Program

- Works With:
- Window ME
 - Windows 95 & 98
 - Windows NT & 2000
 - Windows XP

FRGCODEME
1,390⁰⁰