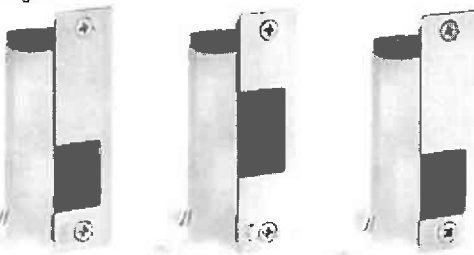




• ELECTRIC STRIKES

**1006 SERIES HEAVY DUTY ELECTRIC STRIKES,  
FAIL SECURE ONLY**

The 1006 Series is the strongest and most versatile strike available. These units accommodate most every type of lockset on the market, including the ability to contain, release and recapture a lockset with a 1" deadbolt. The 1006 features an innovative dual interlocking plunger design and heavy-duty, all stainless steel construction. Designed to satisfy maximum requirements for safety and security, the 1006 offers the highest standard of quality and reliability, along with the versatility to accommodate all locksets with an ANSI 4 7/8" cutout in fire rated or non-fire rated openings.


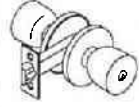
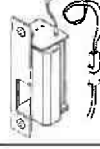
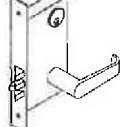
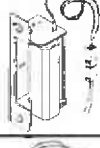
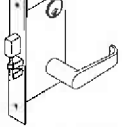

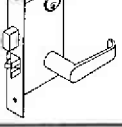

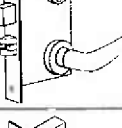
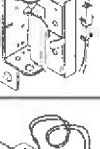
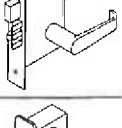

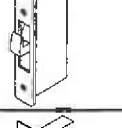

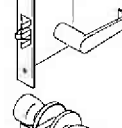

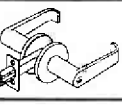


**Electric Strike Only, Order Option Kits Below**

P/N	Function	Voltage	Finish	Price
HE1006F-Black	Fail Safe	12/24VDC	Black	418.00
HE1006F-630	Fail Safe	12/24VDC	Stainless	423.00
HE1006-Black	Fail Secure	12/24VDC	Black	418.00
HE1006-630	Fail Secure	12/24VDC	Stainless	423.00

**Option Kits**

HEJ-605	HD Electric Strike-J Option	Bright Brass	76.00
HEJ-630	HD Electric Strike-J Option	Satin Stainless Steel	28.00
HEK-605	HD Electric Strike-K Option	Bright Brass	76.00
HEK-630	HD Electric Strike-K Option	Satin Stainless Steel	28.00
HEKD-605	HD Electric Strike-KD Option	Bright Brass	76.00
HEKD-630	HD Electric Strike-KD Option	Satin Stainless Steel	28.00
HEN-605	HD Electric Strike-N Option	Bright Brass	76.00
HEN-630	HD Electric Strike-N Option	Satin Stainless Steel	41.00
HEND-605	HD Electric Strike-ND Option	Bright Brass	76.00
HEND-630	HD Electric Strike-ND Option	Satin Stainless Steel	41.00
HEA-605	HD Electric Strike-A Option	Bright Brass	76.00
HEA-630	HD Electric Strike-A Option	Satin Stainless Steel	41.00
HEAD-605	HD Electric Strike-AD Option	Bright Brass	76.00
HEAD-630	HD Electric Strike-AD Option	Satin Stainless Steel	41.00
HEH-605	HD Electric Strike-H Option	Bright Brass	76.00
HEH-630	HD Electric Strike-H Option	Satin Stainless Steel	41.00
HEHD-605	HD Electric Strike-HD Option	Bright Brass	76.00
HEHD-630	HD Electric Strike-HD Option	Satin Stainless Steel	41.00
HET-605	HD Electric Strike-T Option	Bright Brass	76.00
HET-630	HD Electric Strike-T Option	Satin Stainless Steel	41.00
HETD-605	HD Electric Strike-TD Option	Bright Brass	76.00
HETD-630	HD Electric Strike-TD Option	Satin Stainless Steel	41.00
HER-605	HD Electric Strike-R Option	Bright Brass	76.00
HER-630	HD Electric Strike-R Option	Satin Stainless Steel	41.00
HEE-605	HD Electric Strike-E Option	Bright Brass	76.00
HEE-630	HD Electric Strike-E Option	Satin Stainless Steel	41.00
HEJ2-605	HD Electric Strike-2 Option	Bright Brass	84.00
HEJ2-630	HD Electric Strike-2 Option	Satin Stainless Steel	51.00

MODEL	OPERATION	TYPE OF LOCK RELEASED
	<b>J</b> For use with cylindrical locksets.	
	<b>K/KD</b> For use with mortise locksets and mortise panic exit device, with or without a deadlatch. (Does not require a relocation of the centerline.)	
	<b>N/ND</b> For use with mortise locksets where the deadbolt is used for night latch function only.	
	<b>A/AD</b> For use with mortise locksets with a normally extended 1" deadbolt where lockset is released, recaptured and contained.	
	<b>H/HD</b> For use with mortise locksets where the deadbolt is not released.	
	<b>T/TD</b> For use with mortise locksets with center deadlocking lever between latchbolt and deadbolt.	
	<b>R</b> For use with swinging hookbolt used on narrow style aluminum doors, 3/4" to 1" throw.	
	<b>E</b> For use with Corbin/Russwin Security Cylindrical Bolt.	
	<b>J2</b> For use in new or retrofit 9" jamb cutout installations. Offers six point mounting for wood installations.	



### 9600 GENESIS ELECTRIC STRIKE

#### Surface Mounted, Dual Locking, Heavy Duty

Totally surface mounted, the new 9600 Genesis requires absolutely no cutting of the door frame. The unit's contemporary, 9" x 1 3/4" x 3/4" face plate encases all electro-mechanical components making it undeniably easy to install. A patent pending, dual locking mechanism provides the holding force of two electric strikes in one - offering twice the security, twice the resistance, and twice the reliability of any strike on the market. HES Genesis accommodates rim mounted panic exit devices and can be installed on metal, wood or aluminum jambs. Heavy duty stainless steel construction makes it ideal for high usage applications.

HE9600-613	Bronze Toned	511.00
HE9600-613-LBSM	Bronze Toned	691.00
HF9600-630	Satin Stainless	466.00
HF9600-630-LBSM	Satin Stainless	646.00

#### Specifications:

- Intended for U.L. 10C listing as a Fire Door Accessory Device
- Intended for U.L. Burglary Resistance 1034
- BHMA Standards 501, Grade 1
- ANSI/BHMA A 156 -1992 Specification A 115.6.1 Semi Rim Mounted E09311, E09312, E09313

#### Standard Features:

- Durability minimum 500,000 cycles
- Horizontal adjustment
- Continuous duty operation
- Tamper resistant, stainless steel construction
- Non-handed
- Low current draw
- Plug-in connectors
- Internally mounted solenoid
- Horizontal lock down screws

#### Optional Features:

- LBM - Latchbolt Monitor
- LBSM - Latchbolt Strike Monitor
- 7000-108 Spacer Plate

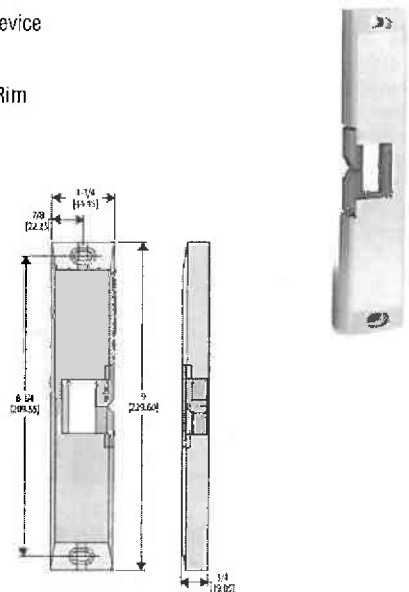
#### Accessories:

- 2001 - Plug-in Bridge Rectifier
- 2005 - SMART PacTM II Power Controller
- 2006P - Plug-in Buzzer
- 2009P - Plug-in L.E.D.

#### Finishes:

- Standard Finish 630 -Satin Stainless Steel
- Available in all HES special finishes

Five Year Limited Warranty



### 9500 GENESIS II - FIRE RATED

Same Features as the 9600, In a Fire Rated Package

### SURFACE MOUNT BOX

Installs on inactive door of pair of doors to accommodate rim-exit devices

HESMB 147.00

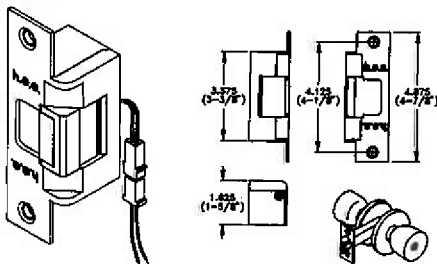


### HEAVY DUTY ELECTRIC STRIKES

#### Compatible With Folger Adam

The 7500 series electric strikes have been designed with the strength and durability required to secure the most demanding facility. Their heavy duty construction makes them ideal for all high usage applications.

#### 7501

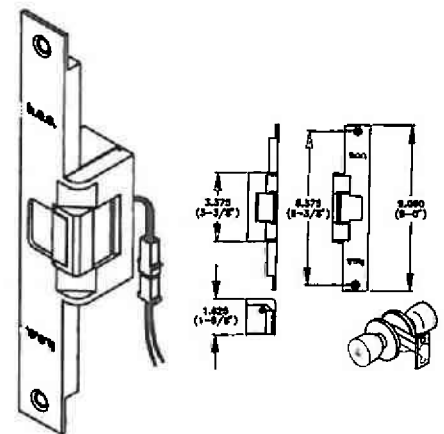


Will dimensionally fit into the jamb cutout of Folger Adam models 712 and 732, Von Duprin models 6211 and 6211WF.

HE7501-12D-630	12VDC	439.00
HE7501-24D-630	24VDC	439.00

- U.L. Listed for Fire Door Accessory Category 10B, For Use on "A" Labeled 3 Hour Doors (Fail Secure Only)
- U.L. Listed for Burglary Resistance (1034) Applied for
- BHMA Standard 501, Grade 1
- All Stainless Steel Construction-For Corrosion Resistance, strength and durability
- Tamper Resistant - Heavy Duty Construction
- Forcing Strength (in the opening direction)-1,900 lbs
- Durability minimum - 500,000 cycles
- Field Reversible - Fail Secure/Fail Safe
- Door Loading Resistance -Can operate under a pre-load condition (in Fail Secure mode only)
- Non-Handed
- Horizontal Adjustment
- Internally Mounted Solenoid
- Continuous Duty Operation
- Plug-in Connectors

#### 7505



Will dimensionally fit into the jamb cutout of Folger Adam model 310-2, Von Duprin models 6215 and 6226.

HE7505-12D-630	12VDC	459.00
HE7505-24D-630	24VDC	459.00



• **ELECTRIC STRIKES**  
 • **MODULAR ELECTRIC STRIKES**

**7000 SERIES MODULAR ELECTRIC STRIKES**

The 7000 series Electric Strikes have a modular design that provides a complete functional package. This modular design enables the user to determine the function, either fail secure or fail safe, at the time of installation by the positioning of the solenoid within the unit. The 7000 series is designed to accommodate latchbolts up to 3/4" throw. With its optional face plate (model 7083) the unit will accommodate rim mounted panic exit devices. The 7000 is designed with a heavy duty construction. Also it is tamper resistant, non-handed, and ideal for high usage applications.

**INSTALLATION**

The 7000 series is designed with an internally mounted solenoid for ease of installation in steel, aluminum and wood jams, interior or exterior.

*Standard Features-*

- 3 interchangeable face plate styles.
- Tamper resistant - Heavy duty construction.
- Field reversible - Fail secure /fail safe.
- Door loading- Can release under a pre-load.
- Non-handed.
- Internally mounted solenoid.
- Continuous duty operation.
- 12 VDC current draw = .45 amp.
- 24 VDC current draw = .25 amp.
- Plug-in connectors.

HE7001-605	Modular Electric Strike	Bright Brass	265.00
HE7001-613	Modular Electric Strike	Duro Brown Coated	244.00
HE7001-630	Modular Electric Strike	Satin Stainless Steel	231.00
HE7002-605	Modular Electric Strike	Bright Brass	265.00
HE7002-630	Modular Electric Strike	Satin Stainless Steel	231.00
HE7083-613	Modular Electric Strike	Duro Brown Coated	357.00
HE7083-626	Modular Electric Strike	Duro Silver Nylon Coated	300.00
HE7086-626	Modular Electric Strike	Duro Silver Nylon Coated	313.00
HE7089-613	Modular Electric Strike	Duro Brown Coated	379.00
HE7089-626	Modular Electric Strike	Duro Silver Nylon Coated	313.00

**660 HEAVY-DUTY SURFACE MOUNTED ELECTRIC LOCK**

The 660 electric cabinet lock is a surface mounted electric cabinet door and drawer lock operating on 12 or 24VDC, with over 1,000 lbs. of holding force.



**660 cabinet lock**  
 The strongest surface mounted cabinet locking solution.

**Standard Features:**

- Over 1,000 lbs. holding force
- Over 100 ft.-lbs of dynamic holding force
- Available in either 12 or 24 VDC
- Factory tested to over 1,000,000 cycles
- Adjustable mounting brackets with final lockdown feature
- All metal construction
- 6 ft. cable lead

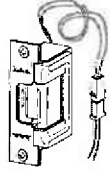
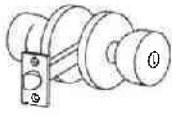
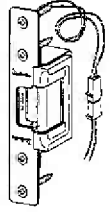
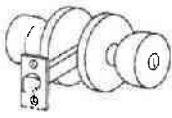
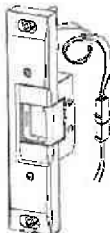

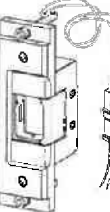

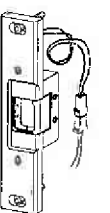

**Optional Features:**

- Pre-load option

**HE660-LBSM**  
 (specify 12V or 24V)

**140<sup>00</sup>**

.25 amp @ 12VDC  
 .12 amp @ 24VDC

MODEL	OPERATION	TYPE OF LOCK RELEASED
	<b>HE7001</b> For use with latchbolts up to 5/8" throw. Field interchangeable between fail secure and fail safe.	
	<b>HE7002</b> For use with cylindrical latchbolts up to 5/8" throw. Field interchangeable between fail secure and fail safe.	
	<b>HE7083</b> For use with rim mounted panic exit devices up to 5/8" throw. Field interchangeable between fail secure and fail safe.	
	<b>HE7086</b> For use with latchbolts up to 5/8" throw. Field interchangeable between fail secure and fail safe.	
	<b>HE7089</b> For use with latchbolts up to 5/8" throw. Field interchangeable between fail secure and fail safe.	



AskYourLocksmith.com  
 Lancaster, Pennsylvania  
 Phone 717-392-6333

**5000 SERIES ELECTRIC STRIKES**

The 5000 series electric strike system includes a choice of two electric strike bodies, seven face plate options and four stackable lip extensions. The 5000 and 5700 series electric strikes are each designed to simplify the installation procedure. Both units are designed to accommodate cylindrical latchbolts up to 1/2" throw.

Standard finish - Satin Stainless Steel 630

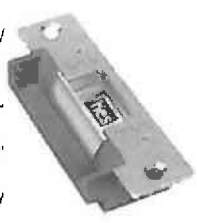
<b>HE5000-12DC</b>	139.00
<b>HE5000-24DC</b>	139.00
<b>HE5700-24DC</b>	139.00

Optional Face Plates:

<b>P/N</b>	<b>630</b>	<b>613</b>	<b>605</b>	<b>628</b>
<b>501</b>	16.00	30.00	50.00	
<b>501A</b>	20.00	33.00	54.00	
<b>501B</b>		50.00		
<b>502</b>	33.00	45.00	66.00	
<b>503</b>	33.00	45.00	66.00	
<b>503B</b>		49.00		38.00
<b>504</b>	33.00	45.00	66.00	

**Standard Features:**

- Tamper resistant - Heavy duty construction
- Forcing strength - 2,500 lbs.
- Durability minimum - 1,000,000 cycles
- Compact design - 1 1/16" backset
- Field changeable - Fail Safe/ Fail Secure
- Non-handed
- Internally mounted solenoid
- Continuous duty solenoid
- Plug-in connectors
- 12VDC current draw - .25 amps
- 24VDC current draw - .124 amps



**5001**

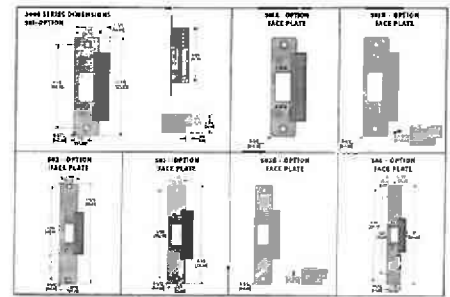
**Standard Features:**

- Tamper resistant - Heavy duty construction
- Forcing strength - 1,000 lbs.
- Durability minimum - 500,000 cycles
- Compact design - 1 1/2" backset
- Fail Secure - Unlocked when energized
- Non-handed
- Internally mounted solenoid
- Continuous duty solenoid
- Plug-in connectors
- 12VDC current draw - .30 amps
- 24VDC current draw - .14 amps



**5701**

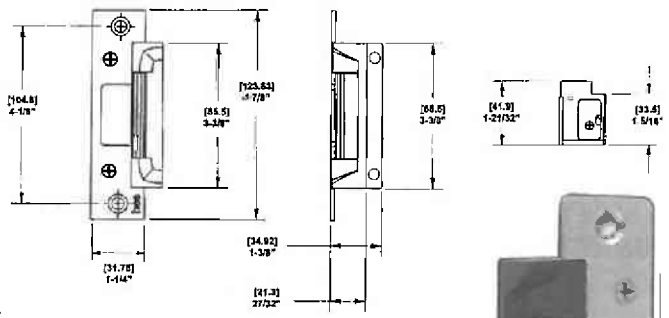
To calculate a price, add the price of the strike plus the face plate.  
 ex. 5000 + 501-630 = 5001-630 @ 155.00



**5200 SERIES ELECTRIC STRIKES**

The convenient adjustable solution.

The 5200 series raises the standard in adaptability for electric strikes. Offering features such as an all new innovative approach to in-frame horizontal adjustability, the 5200 Series was designed with the installer in mind. The field selectable fail/secure fail safe unit is easy to install and accommodates 3/4" latchbolts.



**Specifications**

- ANSI/BHMA 156.31, Grade 1
- UL 1034, burglary resistance rated
- Patented design

**Frame application**

- Steel
- Aluminum
- Wood

**Electrical**

- .120 Amp @ 12VDCNAC
- .240 Amp @ 24VDCNAC

**Standard Features**

- In-frame horizontal adjustability
- Heavy-duty - for use with up to 3/4" latchbolts
- Dual voltage 12 or 24VDCNAC
- Field selectable fail secure/ fail safe
- Forcing strength rating 1,500 lbs.
- Dynamic force rating 70ft-lbs.
- Endurance rating 250,000 cycles (factory tested to over 1,000,000)
- Internally mounted solenoid
- Non-handed
- Trim enhancer (goof plate) included
- Five year warranty



**HE5200-12/24VDC** 139.00  
 630 finish only

Uses Face Plates of 5000 Series



### RF5010-5020 SERIES ELECTRIC STRIKES

Introducing the first-ever electric strike with an integrated proximity card reader. Combining the access control of HID® reader with the physical security of a Grade 1 electric strike, the RF5010-IA series encompasses everything in the frame for faster installation and superior aesthetics. Designed to work with any Weigand-compatible controller, the RF5010-IA is a single unit with an external antenna, accommodating 5/8" latchbolts in outswing applications.

*Face plate options sold separately.*



**Sophisticated control  
in a simple package**



P/N	Antenna	Latch	List
HERF5010-IA	Internal	5/8"	550.00
HERF5010-EA	External	5/8"	550.00
HERF5020-IA	Internal	3/4"	550.00
HERF5020-EA	External	3/4"	550.00

#### Standard Features:

- Integrated HID Proximity Card Reader
- Internal antenna for outswing applications only
- Interfaces with any Weigand-compatible access control system
- Recognizes HID 125kHz credentials
- Non-handed
- Accommodates 1/2" - 5/8" latchbolt (5/8" with 1/8" door gap) 5010
- Accommodates 5/8" - 3/4" latchbolt (3/4" with 1/8" door gap) 5020
- Includes door position switch, latchbolt monitor, LED and buzzer
- Appropriate for -150°F - 32°F (-65°C - 0°C)
- Lifetime limited warranty

#### Reader Module

- 12VDC (+/- 20%)
- 124 mA Max. @ 12VDC

#### Electric Strike

- 12VDC (+/- 10%)
- 240 mA Max. @ 12VDC

#### Cable

- 500 ft. max. distance to host

#### Finish:

- Standard Finish 630 -Satin Stainless Steel

#### Faceplate Options:

- **501** -For use with cylindrical locksets in ANSI metal jambs. ANSI/BHMA Numbers: #EO9321, #EO9322, #EO9323
- **501A** -For use with cylindrical locksets. Includes universal mounting tabs. Aluminum frames. ANSI/BHMA Numbers: #EO9321, #EO9322, #EO9323
- **501B** -For use with cylindrical locksets. Includes universal mounting tabs. Aluminum doors and frames with radiused front. ANSI/BHMA Numbers: #EO9321, #EO9322, #EO9323
- **502** -For use with cylindrical locksets. Includes universal mounting tabs. Aluminum frames. ANSI/BHMA Numbers: #EO9321, #EO9322, #EO9323
- **503** -For use with cylindrical locksets. Includes universal mounting tabs. ANSI/BHMA Numbers: #EO9321, #EO9322, #EO9323
- **503B** -For use with cylindrical locksets. Faceplate is beveled. Includes universal mounting tabs. ANSI/BHMA Numbers: #EO9321, #EO9322, #EO9323
- **504** -For use with cylindrical locksets. Four point mounting for wood installations. ANSI/BHMA Numbers: #EO9321, #EO9322, #EO9323

### 5900 SERIES CONCEALED STRIKE

Based on the 5000 series, the 5900 series offers unmatched performance and reliability. This field selectable fail safe/fail secure unit requires no cutout on the frame for fast, easy installation. It accommodates 1/2" - 5/8" latchbolts (with 1/8" door gap). With patented vertical adjustability to accommodate door sag or misalignment, the 5900 sets the standard for concealed electric strikes.



**The concealed  
electric strike solution**



#### Specifications

- ANSI/BHMA 156.31, Grade 1
- UL Pending
- Patented Design

#### Frame Application

- Steel
- Aluminum
- Wood

#### Electrical

- .24 amps @ 12VDC
- .12 amps @ 24VDC
- DC Continuous Duty/AC Intermittent Duty

#### Standard Features

- No cutting on frame required
- Vertical adjustability to accommodate door sag
- Tamper resistant
- Field selectable fail safe/fail secure
- Dual voltage 12 or 24 VAC/VDC
- Non-handed
- Internally mounted solenoid
- Accommodates 1/2" - 5/8" latchbolts (with 1/8" door gap)
- Strike body depth 1 1/16"
- Plug-in connector
- Five year warranty

#### Electrical Accessories:

- Model 2001 -Plug-in Bridge Rectifier for AC Operation
- Model 2005 SMART Pac™ II Power Controller
- Model 2004 ElectroLynx™ adapter
- Model 2006P -Plug-in Buzzer
- Model 2009P -Plug-in L.E.D.

#### Finish:

- Standard Finish 630 -Satin Stainless Steel

#### Faceplate Options

- 591** - 4 7/8" x 1 1/4" square corner
- 591A** - 4 7/8" x 1 1/4" radius corner
- 592** - 7 15/16" x 1 7/16" radius corner
- 593** - 6 7/8" x 1 1/4" radius corner
- 595** - 9" x 1 3/8" radius corner

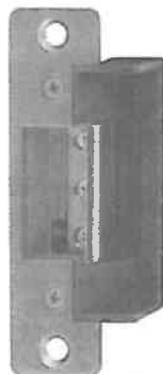
**HE5900-630 Strike Body 162.00**



### E171 & E173 SERIES ELECTRIC STRIKES

Designed with a 1/8" horizontally adjustable keeper to simplify the installation process. The latch cavity accommodates cylindrical locksets with a 1/2" to 5/8" throw (5/8" requires 1/8" door gap) in metal, wood or aluminum jambs.

Face plate options sold separately.



E171 - Fail Secure  
E173 - Fail Safe

HEE171-12D	Satin Stainless	99.00
HEE171-24D	Satin Stainless	99.00
HEE171-8/16A	Satin Stainless	100.00
HEE173-12D	Satin Stainless	205.00
HEE173-24D	Satin Stainless	205.00

#### Standard Features:

- Heavy Duty Construction
- BHMA Grade 3
- UL 1034 Burglary Resistant
- Fail secure/fail safe
- Strike depth 1-1/2"
- Non-handed
- Internally Mounted Solenoid
- Continuous Duty Operation (DC)
- Plug-in Connectors
- Black lip bracket standard
- .50/1.0 amp @ 8-16VAC
- .28 amp @ 12VDC
- .15 amp @ 24VDC

#### Optional Features:

- Five Face Plate Option Kits

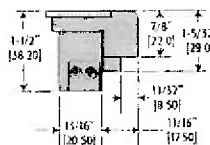
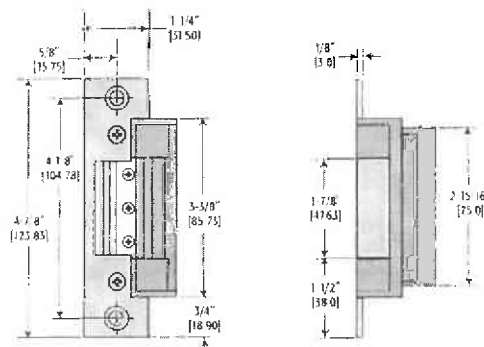
#### Electrical Accessories:

- Model 2001 -Plug-in Bridge Rectifier for AC Operation
- Model 2005 SMART Pac™ II Power Controller
- Model 2505 Power Punch power supply
- Model 2006P -Plug-in Buzzer
- Model 2009P -Plug-in L.E.D.

#### Finish:

- Standard Finish 630 -Satin Stainless Steel

#### E171-S4 (SHOWN)



### E601 SERIES ELECTRIC STRIKES

Designed for rim or surface mounted exit devices in wood or metal jambs. Accommodates all Pullman type latches with up to a 3/4" throw. Offers horizontal adjustment for proper alignment. Order as a complete unit.



#### Standard Features:

- Heavy Duty Construction
- BHMA Grade 2
- UL 1034 Burglary Resistant
- Fail Secure
- Horizontal adjustment
- Internally Mounted Solenoid
- Continuous Duty Operation (DC)
- Plug-in Connectors
- .15 amp @ 12VAC/.20 amp @ 12VDC (fail secure)
- .07 amp @ 24VAC/.11 amp @ 24VDC (fail secure)

#### Electrical Accessories:

- Model 2001 -Plug-in Bridge Rectifier for AC Operation
- Model 2005 SMART Pac™ II Power Controller
- Model 2505 Power Punch power supply
- Model 2006P -Plug-in Buzzer
- Model 2009P -Plug-in L.E.D.

#### Finish:

- 613C Brown Nylon Powder Coated
- 628C Silver Nylon Powder Coated

HEE601-12A/D-613C	Brown Nylon Powder Coated	246.00
HEE601-12A/D-628C	Silver Nylon Powder Coated	246.00
HEE601-24A/D-613C	Brown Nylon Powder Coated	246.00
HEE601-24A/D-628C	Silver Nylon Powder Coated	246.00

### MODEL E601

(Face Plate: 9 x 1-3/4" x 3/4")

For use with Pullman type locksets in wood or metal jambs.

