

• PUSHBUTTON DOOR LOCKS

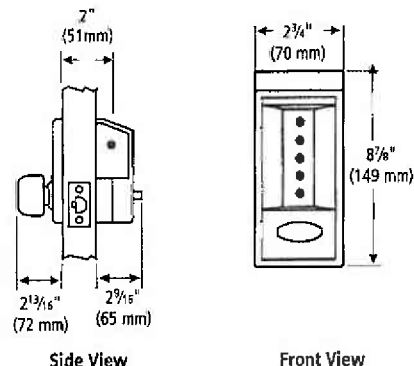
SERIES 6200 RESIDENTIAL COMBINATION DOOR LOCK

With European styling, this five-button residential model provides the same security and access convenience as Simplex heavy duty models, but at half the price.

Fits wood and metal doors 1 3/8" to 2 1/4" thick. Replaces existing primary key in the knob lockset. Perfect for front and rear entrances, outdoor cabanas and solariums.

Dimensions: 8 7/8"(H) x 2 3/4"(W) x 2 9/16"(D)

- **Door Thickness:** 1 3/8" - 2 1/4"
- **Strike:** TS Strike Plate; DB Strike Box
- **Latch & Backset:** 1/2" throw latch, floating front, 2 3/4" backset (carries UL/ULC 3-hour fire rating for 'A' labeled doors).
- **Optional Latch & Backset:** 1/2" throw latch, flat front, 2 3/4" or 2 3/8" backset (carries UL/ULC 3-hour fire rating for 'A' labeled doors).
- **Door Handing:** Factory handed left; field reversible.
- **Control:** Combination change tool.
- **Weather** resistant.
- **Weight:** 4.5 lbs.



Replacement Latches

| | | | |
|----------------|--------|----------------|-------|
| SI55115-03-01 | 2 3/8" | Polished Brass | 29.00 |
| SI55115-26D-01 | 2 3/8" | Satin Chrome | 29.00 |
| SI55116-03-01 | 2 3/4" | Polished Brass | 29.00 |
| SI55116-26D-01 | 2 3/4" | Satin Chrome | 29.00 |

1/2" throw, floating front

| Code | Backset | Finish | Price |
|--------------|---------|-----------|--------|
| SI6204-60-41 | 2 3/4" | Gold Tone | 175.00 |
| SI6204-67-41 | 2 3/4" | Almond | 175.00 |
| SI6204-85-41 | 2 3/4" | Black | 175.00 |
| SI6204-86-41 | 2 3/4" | Gray | 175.00 |

1/2" throw, flat front

| Code | Backset | Finish | Price |
|--------------|---------|-----------|--------|
| SI6214-60-41 | 2 3/4" | Gold Tone | 175.00 |
| SI6214-67-41 | 2 3/4" | Almond | 175.00 |
| SI6214-85-41 | 2 3/4" | Black | 175.00 |
| SI6214-86-41 | 2 3/4" | Gray | 175.00 |

1/2" throw, flat front

| Code | Backset | Finish | Price |
|--------------|---------|-----------|--------|
| SI6218-60-41 | 2 3/8" | Gold Tone | 175.00 |
| SI6218-67-41 | 2 3/8" | Almond | 175.00 |
| SI6218-85-41 | 2 3/8" | Black | 175.00 |
| SI6218-86-41 | 2 3/8" | Gray | 175.00 |

SERIES 7100 PUSHBUTTON LOCK

Attractive, slim line auxiliary deadlocking latch or bolt for keyless access. Uses the same reliable combination access as Simplex heavy duty controls. The combination is easily changed by the owner in under a minute, at no cost, without removing the lock from the door.

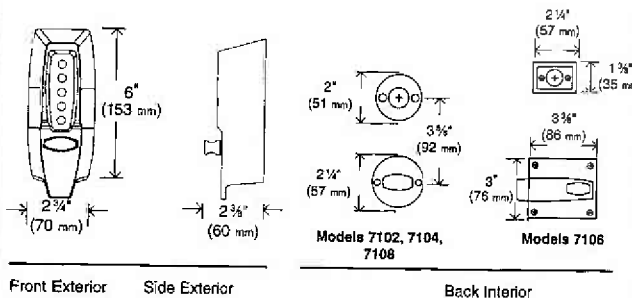
Fits wood and metal doors 1 3/8" to 2 1/4" thick.

Made from durable, weather-resistant materials for reliable operation even in harsh climactic conditions. Mounts above existing primary key-in-knob lockset. Equipped with a force-proof ball bearing clutch to prevent forced access.

Lock has 1/2" inch deadlocking latch or 1" deadbolt.

Always locked outside and unlocked inside.

Dimensions: 6"(H) x 2 1/4"(W).



- Easy installation. Includes all hardware.
- Lock handing is field reversible.

| Code | Function | Backset | Finish | Price |
|---------------|---------------|---------|-----------------------|--------|
| SI7102-03-41 | Deadbolt | 2 3/4" | Bright Lifetime Brass | 163.00 |
| SI7102-26D-41 | Deadbolt | 2 3/4" | Satin Chrome | 138.00 |
| SI7102-05-41 | Deadbolt | 2 3/4" | Antique Brass | 138.00 |
| SI7104-03-41 | Deadlatch | 2 3/4" | Bright Lifetime Brass | 163.00 |
| SI7104-26D-41 | Deadlatch | 2 3/4" | Satin Chrome | 138.00 |
| SI7106-19-41 | Rim Deadlatch | 2 3/8" | Black Paint | 138.00 |
| SI7106-26D-41 | Rim Deadlatch | 2 3/8" | Satin Chrome | 138.00 |

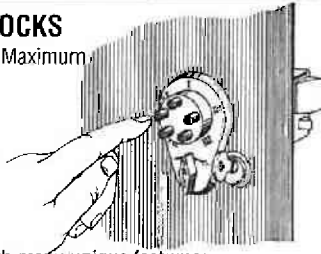
| Code | Function | Backset | Finish | Price |
|---------------|----------|---------|-----------------------|--------|
| SI7108-03-41 | Deadbolt | 2 3/8" | Bright Lifetime Brass | 163.00 |
| SI7108-26D-41 | Deadbolt | 2 3/8" | Satin Chrome | 138.00 |
| SI7108-AC-41 | Deadbolt | 2 3/8" | Antique Copper | 138.00 |
| SI7108-AW-41 | Deadbolt | 2 3/8" | Antique White | 138.00 |
| SI7108-GV-41 | Deadbolt | 2 3/8" | Gold Vein | 138.00 |
| SI7108-SV-41 | Deadbolt | 2 3/8" | Silver Vein | 138.00 |
| SI7108-05 | Deadbolt | 2 3/8" | Antique Brass | 138.00 |



• PUSHBUTTON LOCKS

SIMPLEX "touch-but'n" DOOR LOCKS

With Changeable Pushbutton Combinations Maximum Security • Maximum Protection



Provides both locksmiths and customers with many unique features:

- No keys to issue or control -no keys to retrieve when employees or tenants leave.
- Burglar Proof - no key hole to pick; thousands of possible combinations.
- Combination changes in just seconds.
- Durable - wear tested for an equivalent of 30 years of use.
- Easy to install over any existing lock or knob set.
- Completely Mechanical - no electrical wiring.

DEADBOLT 100 SERIES

Door Thickness: 1 3/8"

| Code | Finish | Features | Price |
|------------------|----------------|-------------|--------|
| SI9020000-04-41 | Satin Brass | | 136.00 |
| SI9020000-26D-41 | Brushed Chrome | | 136.00 |
| SI9060000-04-41 | Satin Brass | Key By Pass | 194.00 |
| SI9060000-26D-41 | Brushed Chrome | Key By Pass | 194.00 |

DEADBOLT 200 SERIES

Door Thickness: 1 3/4" - 2 1/8"

| Code | Finish | Features | Price |
|------------------|----------------|-------------|--------|
| SI9040000-04-41 | Satin Brass | | 136.00 |
| SI9040000-26D-41 | Brushed Chrome | | 136.00 |
| SI9100000-04-41 | Satin Brass | Key By Pass | 194.00 |
| SI9100000-26D-41 | Brushed Chrome | Key By Pass | 194.00 |

SPRING LATCH 100 SERIES

With Deadlatching Trigger and Latch Hold Back Feature
Door Thickness: 1 3/8"

| Code | Finish | Features | Price |
|------------------|----------------|---|--------|
| SI9170000-04-41 | Satin Brass | | 161.00 |
| SI9170000-26D-41 | Brushed Chrome | | 161.00 |
| SI9350000-04-41 | Satin Brass | Key Bypass Cylinder & 1 Service Key(KD or KA) | 218.00 |
| SI9350000-26D-41 | Brushed Chrome | Key Bypass Cylinder & 1 Service Key(KD or KA) | 218.00 |

SPRING LATCH 200 SERIES SI918

With Deadlatching Trigger and Latch Hold Back Feature
Door Thickness: 1 3/4" - 2 1/8"

| Code | Finish | Features | Price |
|------------------|----------------|--|--------|
| SI9190000-04-41 | Satin Brass | | 161.00 |
| SI9190000-26D-41 | Brushed Chrome | | 161.00 |
| SI9191000-26D-41 | Brushed Chrome | With 34030 Strike. For Metal Door Frames. | 165.00 |
| SI9191300-26D-41 | Brushed Chrome | With 34030 Strike. For Metal Door Frames. 2 1/2" inside Lever. | 197.00 |
| SI9193000-26D-41 | Brushed Chrome | With 2 1/2" inside Lever Handle. | 193.00 |
| SI9290000-26D-41 | Brushed Chrome | Meets DOD standards for restricted areas. | 250.00 |
| SI9380000-04-41 | Satin Brass | Key Bypass Cylinder and 1 Service Key(KD or KA). | 218.00 |
| SI9380000-26D-41 | Brushed Chrome | Key Bypass Cylinder and 1 Service Key(KD or KA). | 218.00 |

E-PLEX 3000 - Narrow Stile Electronic Pushbutton Lock

Electronic pushbutton lock for narrow stile aluminum glass doors.

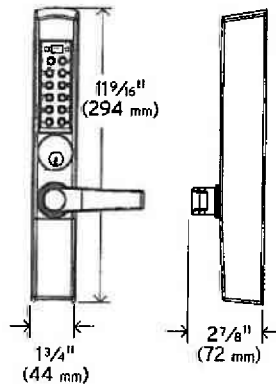
Retrofits inside trim for:

Adams Rite®locks 1850, 1950, 4070, 4510, 4520, 4530, 4710, 4720, 4730, 4900, 4920AN, MS1850S and MS1950S series.

- 300 access codes
- Most recent 9,000 lock events
- Locks are programmed via keypad or with optional Microsoft Excel based software

Batteries are located in tamper proof base of outside housing. Four AA alkaline batteries provide up to 180,000 cycles. Lock data is maintained if batteries fail. Warning light notifies low battery.

| P/N | Prep | Lever | Finish | Retail |
|------------------|-----------|--------------|--------------|--------|
| SI E3065BNL-626 | Best I.C. | Narrow Stile | Satin Chrome | 560.00 |
| SI E3065MSNL-626 | Sch. C | Narrow Stile | Satin Chrome | 560.00 |
| SI E3066MSNT-626 | Sch. C | Thumbturn | Satin Chrome | 560.00 |



Exterior



3065 - mortise deadlatch
3066 - mortise deadbolt



• PUSHBUTTON LOCKS • SWITCH LOCKS
• Accessories

SIMPLEX® 5000

Application

The Simplex 5000 lock provides fully mechanical pushbutton access control without any wiring, electronics or batteries. Exterior access is by combination. Egress is by interior lever and is free at all times. Lock is ADA compliant.

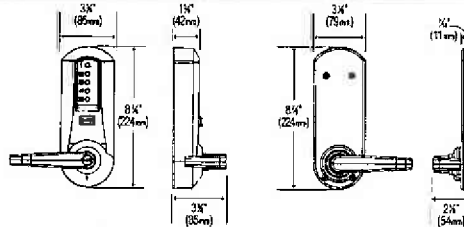
The Simplex 5000 is ideal for controlling access to high-traffic, security-sensitive areas in commercial, industrial, educational, governmental, lodging, and multi-unit residential settings. Perfect for locations with a high user turnover rate such as data processing centers, employee entrances, etc.

Features

- Mechanical pushbutton strength and reliability.
- Keyless convenience - Eliminates problems and costs associated with issuing, controlling, & collecting keys & magnetic cards.
- Combination can be quickly and easily changed; thousands of possible combinations.
- Non-handed

- Direct drive: Eliminates potential breakage in critical internal links
- Regged and weather resistant.
- Two year warranty

| Code | Finish | Features | Price |
|----------------|----------------|----------------------------|--------|
| SI5021BWL-26D | Brushed Chrome | Best IC, less core | 480.00 |
| SI5021BWL-3 | Chiara Brass | Best IC, less core | 550.00 |
| SI5021MWL-26D | Brushed Chrome | Medeco, less core | 480.00 |
| SI5021MWL-3 | Chiara Brass | Medeco, less core | 550.00 |
| SI5021SWL-26D | Brushed Chrome | Schlage, less core | 488.00 |
| SI5021SWL-3 | Chiara Brass | Schlage, less core | 550.00 |
| SI5021XKWL-26D | Brushed Chrome | Ilco 15395 cylinder & keys | 480.00 |
| SI5021XKWL-3 | Chiara Brass | Ilco 15395 cylinder & keys | 550.00 |



E-PLEX 2000 - Electronic Pushbutton Lock

The E-Plex 2000 series is an economical way to step up to the benefits of electronic access control.

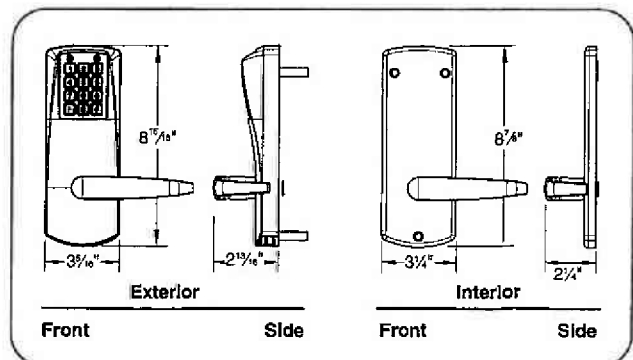
The E-Plex 2000 combines the strength, simplicity and reliability of the industry leading Simplex® pushbutton locks with the enhanced features and convenience of electronic access control.

PIN access eliminates the cost and problems of issuing and managing keys or magnetic cards.

- 100 access codes - includes user and service levels
- 2 3/4" or 2 3/8" backset (specify)
- Minimum stile recommended: 5"
- 1/2" latchbolt
- Door thickness: 1 3/8" - 2 1/2". Pre-assembled to accommodate doors 1 5/8"-2"
- Non-handed

The efficient design of the E-Plex 2000 provides at least 100,000 cycles of battery life with 3 AA batteries. Metal, vandal-resistant keys ensure the integrity of the lock.

The E-Plex 2000 easily installs on wood or metal doors with ASA 161 door prep. Three through bolts secure the lock to the door.



| P/N | Prep | Lever | Finish | Retail |
|-----------------|-----------|-------|--------------|--------|
| SIE2031BLL-606 | Best I.C. | Long | Satin Brass | 485.00 |
| SIE2031BLL-626 | Best I.C. | Long | Satin Chrome | 450.00 |
| SIE2031LL-606 | None | Long | Satin Brass | 435.00 |
| SIE2031LL-626 | None | Long | Satin Chrome | 400.00 |
| SIE2031XSLL-606 | Sch. C | Long | Satin Brass | 485.00 |
| SIE2031XSLL-626 | Sch. C | Long | Satin Chrome | 450.00 |



AskYourLocksmith.com
Lancaster, Pennsylvania
Phone 717-392-6333

E-Plex® Model 5000

The E-Plex 5000 Series combines the strength, simplicity and reliability of Simplex® mechanical pushbutton locks with the added security and features of electronic access control - it's never been easier to Power Up your access control.

Exterior access is by combination or key override, and egress is by interior lever and is free at all times.

Construction: Extra heavy-duty Grade 1 lock; cylindrical lockset, solid cast housings; solid cast levers, cylindrical drive wear tested for extensive use in indoor and outdoor applications

Numeric keypad: Vandal resistant, 12 button, metal keys

Door handing: Non-handed, pre-assembled for left-hand door installations

Strike: ASA and standard strike plate

Latches: 1/2" (13 mm) throw latch, floating face plate
3/4" (19 mm) throw latch, beveled face plate

Key override: Universal key-in-lever cylinder or removable core formats.

Weight: 8 lbs. (3.63 kg)

Batteries: (4) four AA Alkaline batteries - located in interior housing

• Battery life: up to 180,000 cycles

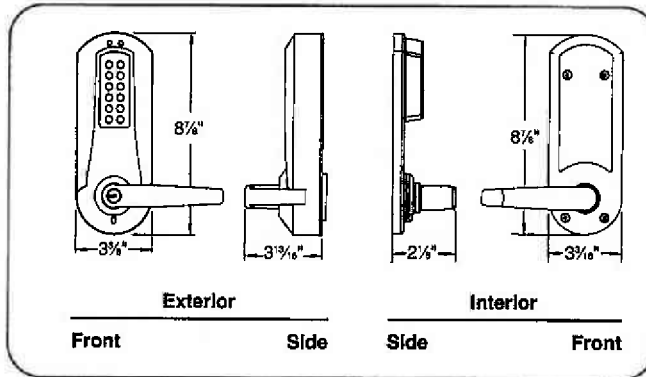
• Lock data is retained if batteries fail

Door preparation: Easily installs on wood or metal doors, ASA 161 door preparation with two (2) additional through bore holes

Backset: 2 3/4" (70 mm) backset

Minimum stile requirement: 5" (127 mm)

Door thickness: 1 3/8" (35 mm) to 2 1/4" (57 mm). Pre-assembled to accommodate doors 1 5/8" (41 mm) to 2" (51 mm). Hardware kits included for thin & thick doors



100 Access Codes, Most Recent 3,000 Events

| Code | Finish | Features | Price |
|-----------------|-----------------------|-------------------------------|--------|
| SIE5010BWL-626 | Brushed Chrome | Exit Trim, Best IC, less core | 775.00 |
| SIE5010XSWL-626 | Brushed Chrome | Exit Trim, Schlage C | 775.00 |
| SIE5031BWL-626 | Brushed Chrome | Best IC, less core | 675.00 |
| SIE5031BWL-605 | Bright Lifetime Brass | Best IC, less core | 745.00 |
| SIE5031CWL-626 | Brushed Chrome | Corbin/Ruswin, less core | 675.00 |
| SIE5031MWL-626 | Brushed Chrome | Medeco/ASSA/Yale, less core | 675.00 |
| SIE5031MWL-605 | Bright Lifetime Brass | Medeco/ASSA/Yale, less core | 745.00 |
| SIE5031RWL-626 | Brushed Chrome | Sargent, less core | 675.00 |
| SIE5031SWL-626 | Brushed Chrome | Schlage, less core | 675.00 |
| SIE5031SWL-605 | Bright Lifetime Brass | Schlage, less core | 745.00 |
| SIE5031XKWL-626 | Brushed Chrome | Kaba Cylinder, Kaba Keyway | 675.00 |
| SIE5031XSWL-626 | Brushed Chrome | Kaba Cylinder, Schlage Keyway | 675.00 |

3,000 Access Codes, Most Recent 30,000 Events

| | | | |
|-----------------|----------------|-------------------------------|--------|
| SIE5210BWL-626 | Brushed Chrome | Exit Trim, Best IC, less core | 900.00 |
| SIE5210XSWL-626 | Brushed Chrome | Exit Trim, Schlage C | 900.00 |
| SIE5231SWL-626 | Brushed Chrome | Schlage, less core | 800.00 |
| SIE5231XSWL-626 | Brushed Chrome | Schlage C | 800.00 |

E-Plex® Model 5700

Electronic pushbutton lock with dual credential capability - PIN and/or PROX card (HID, 125khz, 26 to 84 bit format). Lock is scheduled to require credentials based on security and convenience requirements:

PIN only
PROX card only
PIN + PROX card

- 3,000 access codes per door; over 100 million possible code combinations
- Most recent 30,000 lock events are recorded in memory including use of the mechanical key override
- Locks are programmed via E-Plex Advanced Access Control Software (not included) - provides easy management of doors and users

SIE5731XSWL-626
Schlage C

1,080⁰⁰

Satin Chrome

SIE5766BWL-626
Mortise - No Deadbolt
Best I.C. prep (cyl not included)

1,200⁰⁰

Satin Chrome



E-Plex® Model 5086

Electronic pushbutton lock provides combination access control for both interior and exterior sides of door.

American Standard Mortise with 1 1/4" face plate.

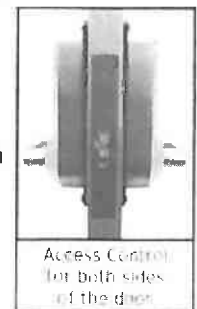
- 100 access codes per side; over 100 million possible code combinations
- Most recent 3,000 lock events per side are recorded in memory including use of the mechanical override key
- Locks are programmed via keypad or with optional Microsoft Excel based software

3 Operation Modes

PIN access

Lockout

Passage - can be toggled on/off or can be preprogrammed to re-lock after a certain number of hours (from 1-24)



Access Control
for both sides
of the door

SIE5086BWL-626
Mortise - No Deadbolt
Best I.C. prep (cyl not included)

1,300⁰⁰

Satin Chrome

• PUSHBUTTON LOCKS
• Accessories

UNICAN SERIES 1000 PUSHBUTTON COMBINATION ACCESS CONTROL

Specifically designed for high-traffic, high-frequency use, provides excellent security for apartment lobbies, employee entrances, student dormitories, hotels, motels, luxury homes, and restricted area in airports, hospitals, clubs, business, industry and institutions. Eliminates problems and cost of issuing, controlling and collecting keys or magnetic cards: no electronic wiring, no keyways to pick, no card slots to jam. Combines trouble-free performance with durability and long-lasting attractiveness.

All locks include standard strikes, installation instructions, full scale and key for access combination change.

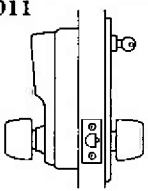
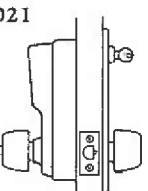
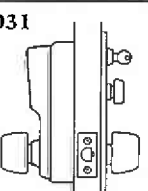
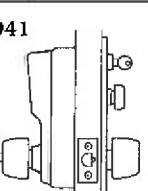
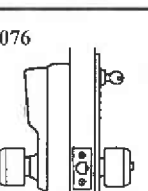
Dimensions:

Lock Body Height: 7 1/8" x 3" x 3 13/16"
Backset: 2 3/4"

Latch Front: 1 1/8" x 2 1/4"
For Door Thickness: 1 3/8" - 2 1/4"

Ordering Information:

Specify finish: 03-Bright Brass, 05-Antique Brass, 26D-Satin Chrome
For Levers: Add LH for left hand, RH for right hand as prefix to number

| PART NO. | DESCRIPTION | PART NO. | KEY OVERRIDE | PRICE 03-BRASS | | PRICE 05-26D | |
|---------------------------------|--|--|--|--|---|--|---|
| | | | | NOB | LEVER | NOB | LEVER |
| 1011 |  Exterior access by combination. Egress by interior knob. | SI1011 | None | 428.00 | 510.00 | 408.00 | 490.00 |
| 1021 |  Exterior access by combination or key override. Egress by interior knob. | SI1021A SI1021B** SI1021C SI1021DL SI1021M SI1021R SI1021S | Assa Interchangeable Core** Corbin/Ruswin Dominion Lock Medeco*/Yale Sargent Schlage | 498.00 498.00 498.00 498.00 498.00 498.00 498.00 | 580.00 580.00 580.00 n/a 580.00 580.00 580.00 | 478.00 478.00 478.00 478.00 478.00 478.00 478.00 | 560.00 560.00 560.00 n/a 560.00 560.00 560.00 |
| 1031 |  Exterior access by combination or passage feature. Interior has passage feature thumbturn. Egress by interior knob. | SI1031 | none | 468.00 | 560.00 | 448.00 | 540.00 |
| 1041 |  Exterior access by combination, key override, or passage feature. Interior has passage feature thumbturn. Egress by interior knob. | SI1041A SI1041B** SI1041C SI1041DL SI1041M SI1041R SI1041S | Assa Interchangeable Core** Corbin/Ruswin Dominion Lock Medeco*/Yale Sargent Schlage | 538.00 538.00 538.00 538.00 538.00 538.00 538.00 | 630.00 630.00 630.00 n/a 630.00 630.00 630.00 | 518.00 518.00 518.00 518.00 518.00 518.00 518.00 | 610.00 610.00 610.00 n/a 610.00 610.00 610.00 |
| L1076 |  Exterior access by combination, key override, or passage feature. Interior has passage feature key. Egress by interior knob. | SIL1076A SIL1076B SIL1076C SIL1076M SIL1076R SIL1076S | ASSA Interchangeable Core** Corbin/Ruswin Medeco*/Yale Sargent Schlage | n/a n/a n/a n/a n/a n/a | 600.00 600.00 600.00 600.00 600.00 600.00 | n/a n/a n/a n/a n/a n/a | 580.00 580.00 580.00 580.00 580.00 580.00 |
| SERVICE KITS | | | | | | | |
| 1000 Service Kit | | EE1000 Service Kit | | L1000 Service Kit | | LP1000 Service Kit | |
| Combination Chamber | 74366 | Combination Chamber | 74366 | Combination Chamber | 74366 | Combination Chamber | 74366 |
| Clutch Assembly | 201430 | Clutch Assembly | 201956 | Clutch Assembly | 201789 | Clutch Assembly | 201789 |
| Chamber Shaft Bushing | 200026 | Chamber Shaft Bushing | 200026 | Chamber Shaft Bushing | 200026 | Chamber Shaft Bushing | 200026 |
| Stop Plate | 201040 | Stop Plate | 201040 | Stop Plate | 201774 | Stop Plate | 201774 |
| Knob Return Spring | 201019 | Return Spring | 201019 | Extension Spring | 201762 | Extension Spring | 201762 |
| Key Override Drive Shaft | 201547 | Drive Shaft Retainer Clip | 201918 | Fixed Sleeve | 201733 | Fixed Sleeve | 201727 |
| Standard Drive Shaft | 201050 | Key Override Drive Shaft | 201547 | Key Override Drive Shaft | 201813 | Key Override Drive Shaft | 201813 |
| Key Override Drive Shaft 1 3/8" | 204151 | Standard Drive Shaft | 201050 | Standard Drive Shaft | 201812 | Standard Drive Shaft | 201812 |
| Standard Drive Shaft 1 3/8" | 204150 | Key Override Drive Shaft 1 3/8" | 204151 | Key Override Drive Shaft 1 3/8" | 204153 | Key Override Drive Shaft 1 3/8" | 204153 |
| Service Kit # SI203039-000-01 | 125.00 | Standard Drive Shaft 1 3/8" | 204150 | Standard Drive Shaft 1 3/8" | 204152 | Standard Drive Shaft 1 3/8" | 204152 |
| | | Service Kit # SI203038-000-01 | 125.00 | Service Kit # LH-SI203038-000-01 | 165.00 | Service Kit # RH-SI203038-000-01 | 165.00 |
| | | | | Service Kit # LH-SI203040-000-01 | 145.00 | Service Kit # RH-SI203040-000-01 | 145.00 |

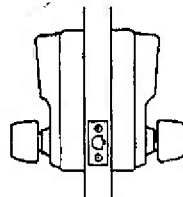


UNICAN SERIES EE1000 PUSHBUTTON COMBINATION ACCESS CONTROL

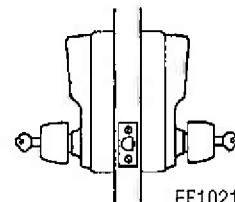
Fits doors up to 2" thick. Ideal for situations where access control is required on both sides of the door.

SIEE1011/EE1011-26D
SIEE1021B/EE1021B-26D
SIEE1021B/EE1021B-3

Satin Chrome 900.00
Satin Chrome 950.00
Bright Brass 1020.00



EE1011/EE1011



EE1021B/EE1021B

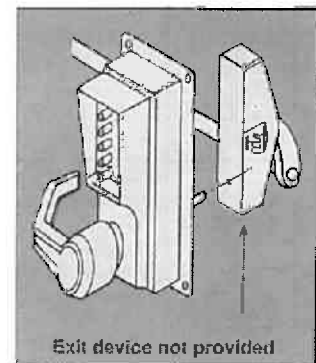
Other keyways available

UNICAN SERIES LP1000 PUSHBUTTON COMBINATION ACCESS CONTROL FOR CONTROL OF PANIC BARS

Supplied with a 2 3/4"(70mm) long adjustable tail piece to operate surface mounted panic devices from outside. Passage function is not available. Price does not include interchangeable cores. Panic device is not supplied.

Specify LH or RH

| Code | Key Bypass Option | Price |
|------------------|----------------------|--------|
| SILP1020A-26D-41 | ASSA | 624.00 |
| SILP1020B-26D-41 | Interchangeable Core | 624.00 |
| SILP1020C-26D-41 | Corbin/Russwin | 624.00 |
| SILP1020S-26D-41 | Schlage | 624.00 |
| SILP1020M-26D-41 | Medeco/Yale | 624.00 |
| SILP1020R-26D-41 | Sargent | 624.00 |



8100 SERIES PUSHBUTTON MORTISE LOCK

Construction: Heavy-duty American steel-case mortise lock housing conforms to ANSI/BHMI 156.13

Dimensions: Front housing 7 3/8"L x 3 1/8"W x 3 3/16"D

Door Thickness: 1 1/2" to 2 1/4"

Strike: Includes mortise strike plate with dimensions 4 7/8" x 1 1/4" x 1/4"

Latch/Backset: Two-piece, anti-friction latch 3/4" meets or exceeds UL/ULC 3-hour rating for "A" labeled doors; accommodates 1/2" throw, 2 3/4" backset and 1" deadbolt

Deadbolt: 1"

Installation: 5" minimum stile required

Control: DF5 key or thumbturn for passage and lockout

Door Handing: Factory-handed left/right; not field reversible

Weight: 9.8 lb.



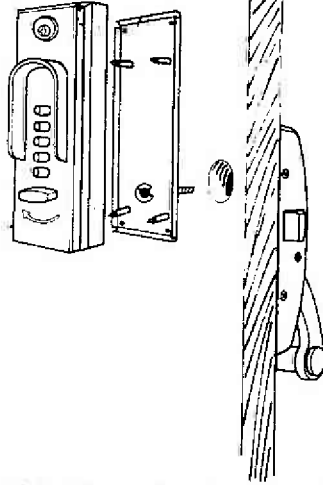
8100 Series
Pushbutton Mortise Lock

| P/N | Hand | Keyway | Finish | Retail |
|---------------|--------------------|---------|--------------|--------|
| SIL8148B-26D | Left Hand | IC | Satin Chrome | 630.00 |
| SIL8148S-26D | Left Hand | Schlage | Satin Chrome | 630.00 |
| SILR8148B-26D | Left Hand Reverse | IC | Satin Chrome | 630.00 |
| SILR8148S-26D | Left Hand Reverse | Schlage | Satin Chrome | 630.00 |
| SIR8148B-26D | Right Hand | IC | Satin Chrome | 630.00 |
| SIR8148S-26D | Right Hand | Schlage | Satin Chrome | 630.00 |
| SIRR8148B-26D | Right Hand Reverse | IC | Satin Chrome | 630.00 |
| SIRR8148S-26D | Right Hand Reverse | Schlage | Satin Chrome | 630.00 |

• PUSHBUTTON LOCKS • CABINET LOCKS
 • Accessories

**SERIES 2000-15
 KEYLESS ACCESS CONTROL**

S12015-26D-41
350⁰⁰
 Satin Chrome



Equipped with a 2 3/4" long adjustable bar (tailpiece) to operate surface mounted panic devices from the outside. Designed for devices that open with a maximum 90:dg clockwise rotation of the key cylinder.

Should not be used with thumb operated or mortise design devices. Any standard pull can be mounted adjacent to the 2000-15 to pull the door open.

6-pin tumbler combination control key cylinder, keyed differently.

Height: 8 3/4" x 3 1/8"
 Backset: 1 9/16" minimum
 Door Thickness: 1 3/8" - 2 1/2"

For:
Corbin 29, 26NT, 29 1/4, 29DO20, 29NTM2, 29M2, 29 1/4 M2, 27K, 20, 21, 22, and 25.
Russwin 265, LT365, 365 1/4, 370, 372, 375, LT 375, 377, 382, 384, 385, 388.
Sargent 9898E, 9898K.
Von Duprin 44NL, 44EO, 44DT, 66NL, 66EQ, 66DT, 88NL, 88EO, 88DT.

"TOUCH-BUT'N" CABINET LOCKS

Pushbutton convenience to maintain file and desk-drawer security, as well as gun, liquor, and medicine cabinets.



| Consumer Pack | | | | |
|---------------|-------------|-----|--------------|-------|
| SIC9601-03 | Deadbolt | Hex | Brass | 84.00 |
| SIC9601-26D | Deadbolt | Hex | Satin Chrome | 84.00 |
| SIC9602-03 | Springlatch | Hex | Brass | 84.00 |
| SIC9602-26D | Springlatch | Hex | Satin Chrome | 84.00 |

| P/N | Mat'g. | Throw | Boit | Knob | Price |
|--------|-------------|-------|----------|------|-------|
| S19621 | Wood | Cross | Deadbolt | Std | 80.00 |
| S19622 | Wood | End | Deadbolt | Std | 80.00 |
| S19661 | Sheet Metal | Cross | Deadbolt | Std | 78.00 |
| S19662 | Sheet Metal | End | Deadbolt | Std | 78.00 |

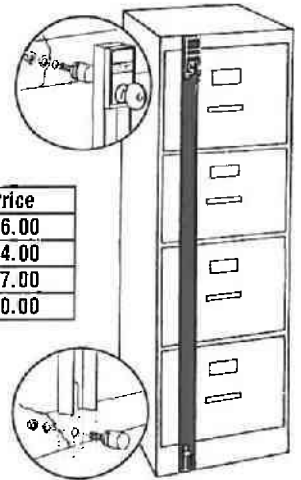
UNICAN FILE • GUARD
Security Bars for Filing Cabinets

Heavy channel steel bars and steel mounting bolts ensure maximum protection.

File•Guard with Built-In Lock offers the convenience of one-piece construction. The use of pin tumbler cylinders allows for rekeying in event of loss or theft of keys. Supplied with 5 pin Schlage C keyway. *Black finish.*

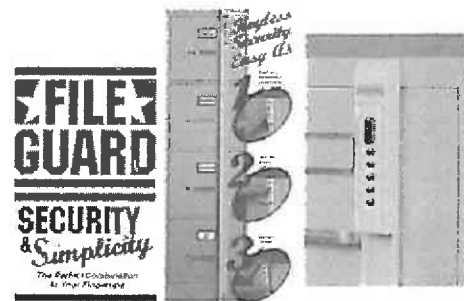
| Code | Drawers | Length | Price |
|--------------|----------|---------|-------|
| SIF2582-B-SC | 2 Drawer | 29" | 76.00 |
| SIF2583-B-SC | 3 Drawer | 38 1/2" | 84.00 |
| SIF2584-B-SC | 4 Drawer | 51 1/4" | 87.00 |
| SIF2585-B-SC | 5 Drawer | 59" | 90.00 |

SIF25804 16.00
 Hardware Pack provides additional/replacement mounting hardware.
Includes: Mounting Hardware: Notch Pins, Clevis Pins, Lock Washers, Screw Nuts and Screws as required.



FILE•GUARD™ with Built-In Lock

KEYLESS FILE • GUARD



| Black | Almond | Drawers | Length | Price |
|----------|----------|----------|---------|--------|
| SIFG12-B | SIFG12-A | 2 Drawer | 29" | 133.00 |
| SIFG14-B | SIFG14-A | 4 Drawer | 51 1/4" | 139.00 |
| SIFG15-B | SIFG15-A | 5 Drawer | 59" | 142.00 |

SERIES 3000 LOCKS FOR NARROW STILE DOOR APPLICATION



Fully mechanical and manufactured of precisely machined, all-metal components. Requires no electrical wiring or batteries.

Changing the pushbutton combination is protected by a key lock on the inside of the door. An optional anti-pull cylinder guard ring prevents wrenching the cylinder from its housing.

Operates standard Adams Rite 4510 and 4570 series latch mechanisms which may have previously been installed in the door. May also use the existing key cylinder that operates the Adams Rite latch.

Will function with all key cylinders used to operate the Adams Rite latch. Compatible with all Adams Rite egress hardware, including paddies, lever handles and panic bars.

Dimensions: 9 5/8" x 1 17/32" x 2 5/8"

STANDARD COMBINATION LOCK HOUSING **240.00**

SI3001-55-41 Duranodic Dark Bronze

SI3001-26D-41 Satin Chrome

COMBINATION LOCK HOUSING WITH CYLINDER GUARD **256.00**

SI3002-55-41 Duranodic Dark Bronze

SI3002-26D-41 Satin Chrome

NOTE: REQUIRES DRIVE ASSEMBLY, SEE BELOW

DRIVE ASSEMBLIES FOR SERIES 3000 LOCKS

| Code | Finish | Description |
|--------------|-------------|---------------------------------|
| SI3010-19-41 | Black Paint | 31/32" Backset R.H. or R.H.R.B. |
| SI3020-19-41 | Black Paint | 31/32" Backset L.H. or L.H.R.B. |
| SI3030-19-41 | Black Paint | 1 1/8" Backset R.H. or R.H.R.B. |
| SI3040-19-41 | Black Paint | 1 1/8" Backset L.H. or L.H.R.B. |

63⁰⁰

NOTE: THESE DRIVE ASSEMBLIES ARE ONLY FOR USE ON THE 3000 SERIES LOCKS DESCRIBED ABOVE.

NEW!

Simplex LD 450

Features:

- Single access code—one easy to manage code for all users
- Lock is easily programmed via keypad once removed from door
- Pre-assembled for right hand door installations (easily changed in field)
- Locking Device Options:
 - + Tubular latch
- Operation Mode Options
 - + Single credential—access
 - + Latch holdback (easily removed in field)
- Warranty:
 - + 1-year warranty

Simplex LD 470

Features:

- Single access code—one easy to manage code for all users
- Lock is easily programmed via keypad once removed from door
- Pre-assembled for right hand door installations (easily changed in field)
- Locking Device Options:
 - + Tubular latch
- Operation Mode Options
 - + Single credential—access
 - + Passage (easily changed in field)
- Warranty:
 - + 1-year warranty



LD450/470

- PIN Access
- Mechanical Pushbutton Lock
- Single Access Code
- Light Duty Application

SIMPLEX®

- No Wiring
- No Software
- No Batteries
- No Computers
- No Keys or Cards

Easy to Install, Use, and Maintain

LD450

| Code | Backset | Finish | Price |
|-----------------|---------|-----------------|--------|
| SILD4513-32D-41 | 2 3/8" | Satin Stainless | 135.00 |
| SILD4513-03-41 | 2 3/8" | Bright Brass | 135.00 |

Knob

| | | | |
|-----------------|--------|-----------------|--------|
| SILD4513-05-41 | 2 3/8" | Antique Brass | 135.00 |
| SILD4523-32D-41 | 2 3/4" | Satin Stainless | 135.00 |
| SILD4523-03-41 | 2 3/4" | Bright Brass | 135.00 |
| SILD4523-05-41 | 2 3/4" | Antique Brass | 135.00 |

LD470

| Code | Backset | Finish | Price |
|-----------------|---------|-----------------|--------|
| SILD4714-32D-41 | 2 3/8" | Satin Stainless | 265.00 |
| SILD4714-03-41 | 2 3/8" | Bright Brass | 265.00 |

Lever

| | | | |
|-----------------|--------|-----------------|--------|
| SILD4714-05-41 | 2 3/8" | Antique Brass | 265.00 |
| SILD4724-32D-41 | 2 3/4" | Satin Stainless | 265.00 |
| SILD4724-03-41 | 2 3/4" | Bright Brass | 265.00 |
| SILD4724-05-41 | 2 3/4" | Antique Brass | 265.00 |

Description

Virtually maintenance-free, the Powerlever lock generates its own power when the lever is depressed, using exclusive PowerStar™ technology. It has the flexibility and ease of use of electronic keypad locks, without batteries to be changed. It is also ideal for doors where each user requires a unique access code for increased security. The lock can be programmed through the keypad, or with a tiny "SmartKey" and user-friendly software, that works as easily for a single door as for an entire facility; Powerlever locks are ADA compliant and easy to install. User convenience features include audible and visible feedback and comfortable, smoothly turning lever handles.

MODEL 1550 - CYLINDRICAL LOCK

- 20 User Codes
- No Audit Trail
- Keypad Programming
- 1-6 digit Codes

| P/N | Strike | Cylinder | Finish | Retail |
|---------------|--------|----------|---------------|--------|
| MS1550IBLCRAX | ASA | IC Prep | Black/Chrome | 850.00 |
| MS1550ICRCRAX | ASA | IC Prep | Chrome/Chrome | 915.00 |
| MS1550SCRCRAD | ASA | Std Cyl. | Chrome/Chrome | 915.00 |
| MS1550SBLCRAD | ASA | Std.Cyl. | Black/Chrome | 850.00 |



1550

MODEL 4550 - CYLINDRICAL LOCK

- 3000 Users
- 23,000 Audit Trail
- SmartKey, keypad or Palm Pilot programming
- Programming Access Schedule
- 1-8 digit Codes

| P/N | Strike | Cylinder | Finish | Retail |
|---------------|--------|----------|---------------|---------|
| MS4550IBLCRAX | ASA | IC Prep | Black/Chrome | 1100.00 |
| MS4550ICRCRAX | ASA | IC Prep | Chrome/Chrome | 1165.00 |
| MS4550SBLCRAD | ASA | Std Cyl | Black/Chrome | 1100.00 |
| MS4550SCRCRAD | ASA | Std.Cyl. | Chrome/Chrome | 1165.00 |



4550

MODEL 455X - EXIT DEVICE OPERATOR

- 3000 Users
- 23,000 Audit Trail
- SmartKey, keypad or Palm Pilot programming
- Programming Access Schedule
- 1-8 digit Codes

| P/N | Strike | Cylinder | Finish | Retail |
|---------------|--------|----------|---------------|---------|
| MS455XIBLCRXX | None | IC Prep | Black/Chrome | 1165.00 |
| MS455XICRCRXX | None | IC Prep | Chrome/Chrome | 1230.00 |
| MS455XSBLCRAD | None | Std Cyl | Black/Chrome | 1165.00 |
| MS455XSCRCRAD | None | Std.Cyl. | Chrome/Chrome | 1230.00 |



455x

455(X): X =

- A - Von Duprin 98/99 and 98-F/99-F manufactured after 1985
- B - Von Duprin 22/22-F
- C - Sargent 8888, 12-8888; Arrow S3801, S3803, F-S3801, S-S3803
- D - Dorma 9300, F9300
- E - Precision 1103, FL1103
- F - Monarch 18-R, F-18-R
- G - Yale 7100/Corbin Russwin 5200
- H - Precision 2100 Series