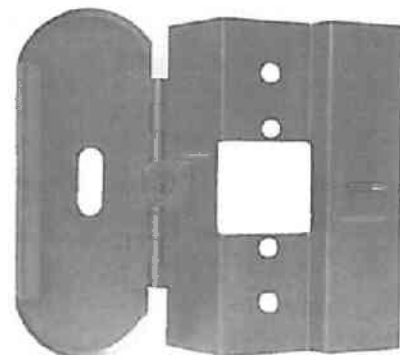


### CONSTRUCTION LOCK

- No Damage to Doors or Frames
- No More Chains Through Sheet Rock Routine
- Re-usable Temporary Locks That Effectively Secure Both In-Swing and Out-Swing Doors
- Provide Effective Protection by Preventing Theft and Keeping Losses Down
- Mount to ASA, T-Strike, Full-Lip, Flush Bolt and Deadlock Strike Preparations
- Comes With Mounting Holes and Screws. No Strike Preparation is Required
- Can Be Installed in 15 Seconds

In search of a temporary construction lock that is affordable and easy to install? The Larry Lock is your answer. Attach to a metal door frame with a minimum 2" face, close your 1 3/4" thick door, apply a padlock and walk away knowing that the Larry Lock has done the job. Remember, all screws are hidden when the door is closed.



**LLLARRYLOCK**  
**48<sup>00</sup>**

Limited Lifetime Warranty  
 Manufactured in the USA

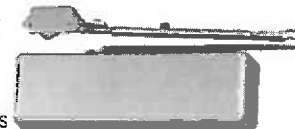


### 4040XP

#### THE MOST DURABLE HEAVY DUTY CLOSER DESIGNED FOR THE MOST DEMANDING, HIGH USE AND ABUSE APPLICATIONS

- NEW 4040XP closer shipped with EDA arm, standard plastic cover, and self reaming and tapping screws.
- Non-sized cylinder is adjustable for interior doors to 5'0" and exterior doors to 4'0".
- Closer mounts parallel arm (EDA arm) on either right or left swinging doors.
- Optional hinge side and top jamb mount with optional regular arm.
- Closers to meet ADA requirements.
- Standard or optional custom powder coat finish.
- Optional plated finish on metal cover, arm and fasteners.
- Optional SRI primer for installations in corrosive conditions is available with powder coat only.
- Optional designer series metal cover
- UL and cUL listed for self-closing doors without hold-open.
- 4040XP can be used with all 4041 accessories.
- All Weather Fluid
- Non-Handed
- LCN®Fast™ Power Adjust
- Fast & Accurate Installation
- UL & cUL Listed
- Tested and certified under ANSI Standard A 156.4, grade one

- 44% increased bearing load capacity
- Strongest pinion ever- at 3/4" journal diameter
- Widest bearing ever- at 5/8"
- Stronger pinion teeth
- New V-shield™ seal with 20% longer life
- XP = eXtra Protection in real world applications
- Cast Iron
- Forged Steel Arm
- Double Heat Treated Steel Pinion



#### REGULAR ARM

**373<sup>00</sup>** ea.

Code	Exterior or Vestibule Doors	Interior Doors	Finish
LC4040XP-ALUM	2'0" - 4'0"	2'0" - 5'0"	Aluminum
LC4040XP-DR/BRZ	2'0" - 4'0"	2'0" - 5'0"	Dark Bronze

#### HOLD-OPEN ARM

**412<sup>00</sup>** ea.

Code	Exterior or Vestibule Doors	Interior Doors	Finish
LC4040XPH-ALUM	2'0" - 4'0"	2'0" - 5'0"	Aluminum
LC4040XPH-DR/BRZ	2'0" - 4'0"	2'0" - 5'0"	Dark Bronze

•DOOR CLOSERS  
•Accessories

## 1260 CAST IRON CLOSER

### The 1260 gives you more

The 1260 is designed to retrofit perfectly or meet the needs of new construction. In fact, your 1260 can be practically custom built for your project's unique demands.

LCN has built in a host of features that just might make the 1260 the last closer you'll ever need.

- Advanced V-Shield Seal for longer life and durability
- Standard and custom powder coat finishes
- Optional slim line cover
- Optional SRI primer for corrosive environments
- Meets ADA requirements
- Tested and certified under ANSI A 1 S6.4, Grade 1
- Optional delayed action

### Spring Adjust

Fits sizes 1-5, minimizing inventory

### Arms (Regular & Parallel are standard)

- Regular
- Parallel
- Long
- Hold open
- EDA
- HEDA
- Cush
- HCush
- SCush
- SHCush

### Regulation

- End regulation
- Optional delayed action

### Mounting Type

- Regular
- Parallel Arm
- Easily retrofits to most common commercial footprint



### REGULAR ARM

202<sup>00</sup> ea.



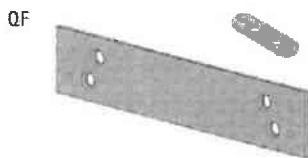
Code	Maximum Door Width		Finish
	Exterior	Interior	
LC1261-DR/BRZ	3'6"	4'6"	Dark Bronze
LC1261-ALUM	3'6"	4'6"	Aluminum

### HOLD-OPEN ARM

223<sup>00</sup> ea.

Code	Maximum Door Width		Finish
	Exterior	Interior	
LC1261H-ALUM	2'6"	3'2"	Aluminum
LC1261H-DR/BRZ	2'6"	3'2"	Dark Bronze

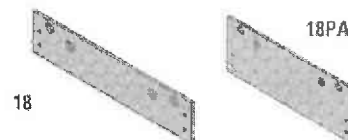
## QUICK FIX™ BRACKET KIT



Optional kit includes retro-fit mounting plates for closer cylinder and shoe. Useful in applications when previously drilled holes are damaged.

LC1260-18QF 42.00

## ADAPTER PLATES



**1260-18:** Required for hinge side mount where top rail is less than 2 1/2".

Required for top jamb mounting where head frame is less than 1 3/4" or flush ceiling condition exists.

Plate requires minimum 1 1/2" minimum top rail or 1 1/4" head frame.

LC1260-18 39.00

**LC1260-18PA:** Required for parallel arm mounting where top rail is less than 4 3/8", measured from the stop.

Plate requires 1 3/4" minimum top rail.

LC1260-18PA 39.00

•DOOR CLOSERS  
 •Accessories

**SUPER STOCK DOOR CLOSERS**

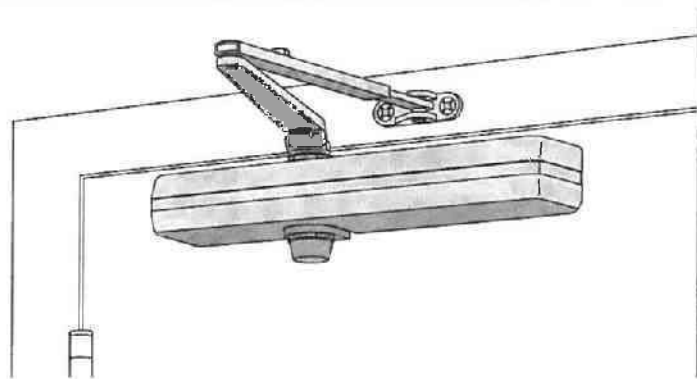
**1460/1461 Series**

Non-Handed/Non-Sized/Mounts 3 Ways.

Super Stock is a non handed, cast iron closer that's ready to be mounted one of three different ways: hinge face (pull side), over door or (push side) or stop face (push side, parallel arm). It is non-sized so spring power can be adjusted from size 2 through size 6 to provide the right control for interior and exterior doors. Hydraulic check cushions the opening swing on every mounting.

Super Stock has modern, slim line design that makes it ideal for narrow stile doors and frames. One Super Stock closer eliminates the need for stocking 30 different standard closers.

- 1461 adjustable from size 1 through 4.
- Adjustable hydraulic back check provides cushioning of opening swing prior to 90°dg.
- Back check and delay adjustments are separate and independent. Safety override allows closer to be pulled from delay cycle without damage.
- One Super Stock closer can handle 30 different applications: 3 styles-5 sizes-2 hands.
- Heavy duty forged main arm.
- Cast iron Cylinder.
- Modern, slim line design. mounts on narrow stile doors and frames.
- Full rack and pinion hydraulic action.
- Reversible shoe to increase latching power.
- Joints in arm and shoe adapt to uneven trim.
- Noncritical, tamper resistant regulating screws.
- Delayed action option available.
- Separate screws for closing and latching speeds, back check and delayed action.
- Five year warranty.
- Unique mounting feature allows fast and easy installations.
- Listed by UL and ULC for self closing doors without hold-open.
- Includes PA shoe



**HOLD-OPEN ARM**

**285<sup>00</sup>** ea.

Packed 4 per case.

Code	Maximum Door Width		Finish
	Exterior	Interior	
LC1460H-ALUM	4'	5'	Aluminum
LC1460H-DR/BRZ	4'	5'	Dark Bronze
LC1461H-ALUM	3'	5'	Aluminum
LC1461H-DR/BRZ	3'	5'	Dark Bronze

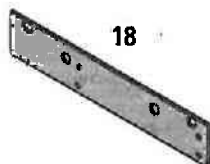
**REGULAR ARM**

**269<sup>00</sup>** ea.

Packed 4 per case.

Code	Maximum Door Width		Finish
	Exterior	Interior	
LC1460-ALUM	4'	5'	Aluminum
LC1460-DR/BRZ	4'	5'	Dark Bronze
LC1461-ALUM	3'	4'	Aluminum
LC1461-DR/BRZ	3'	4'	Dark Bronze

**ADAPTER PLATE**



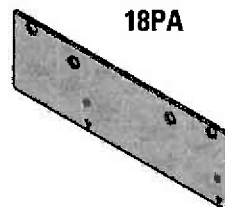
**18**

Required for low ceiling conditions or when clearance for overhead holders is required. Not needed when flush panel header has maximum 1/2" (13MM) rabbet or single rabbeted frames. May be reversed and used on 1 3/4" (45MM) top rail of hinge side.

Use 1460-18 FC in place of 1460-18 if full covers are specified for hinge face mounting. Use 1460-18 GFC in place of 1460-18 if full cover is specified for low ceiling conditions.

**LC1460-18**  
**46.00**

**DROP PLATE**



**18PA**

For use with stop face (parallel arm) mountings when top rail is 4 1/2" (115MM) or less.

Use 1460-18PAFC in place of 1460-18PA if full cover is specified.

**LC1460-18PA**  
**46.00**

- DOOR CLOSERS
- CONCEALED CLOSER
- Accessories

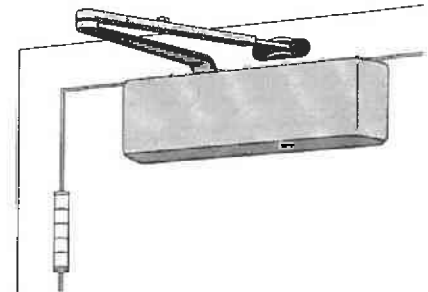
## HEAVY DUTY SMOOTHEE DOOR CLOSERS

The LCN Smoothee is the recognized standard for quality of architectural grade door closers. Heavy duty Smoothee series 4010, 4110 and 4110 Cush-N-Stop are known for efficient operation, easy regulation and durable construction. They have been field proven for years under difficult, even abusive conditions. Clean design, full-rack and pinion action, heavy duty cast iron cylinder, forged steel arms, non-critical regulation of two closing speeds and back check.

### Features-

- Full rack and pinion hydraulic action.
- Adjustable spring power (may be increased 50%).
- High strength cast iron cylinder.
- Liquid X - LCN's highly stable hydraulic fluid makes winter-summer adjustments unnecessary.
- Adjustable hydraulic back check to cushion opening swing.
- Tamper-proof, non-critical regulation.
- Separate regulation of general closing and latching speed.
- Head frame mounting leaves opening clear.
- Easy installation with template and complete instructions.
- Five year warranty.

### 4010 SERIES



Mounts on the hinge face (pull side) of exterior or interior doors. May be mounted on a bracket for outswinging exterior doors. *Specify handing when ordering.*  
Packed 4 per case.

### REGULAR ARM

**332<sup>00</sup>** ea.

Code	Maximum Door Width		Finish
	Exterior	Interior	
LC4012-ALUM		2'2"	Aluminum
LC4012-DR/BRZ		2'2"	Dark Bronze
LC4013-ALUM	2'2"	3'3"	Aluminum
LC4013-DR/BRZ	2'2"	3'3"	Dark Bronze
LC4014-ALUM	3'3"	3'8"	Aluminum
LC4014-DR/BRZ	3'0"	3'8"	Dark Bronze
LC4015-ALUM	3'6"	4'6"	Aluminum
LC4015-DR/BRZ	3'6"	4'6"	Dark Bronze
LC4016-ALUM	4'0"	5'0"	Aluminum
LC4016-DR/BRZ	4'0"	5'0"	Dark Bronze

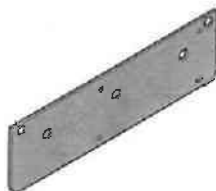
### HOLD-OPEN ARM

**368<sup>00</sup>** ea.

Code	Maximum Door Width		Finish
	Exterior	Interior	
LC4012H-ALUM		2'2"	Aluminum
LC4012H-DR/BRZ		2'2"	Dark Bronze
LC4013H-ALUM	2'2"	3'3"	Aluminum
LC4013H-DR/BRZ	2'2"	3'3"	Dark Bronze
LC4014H-ALUM	3'3"	3'8"	Aluminum
LC4014H-DR/BRZ	3'0"	3'8"	Dark Bronze
LC4015H-ALUM	3'6"	4'6"	Aluminum
LC4015H-DR/BRZ	3'6"	4'6"	Dark Bronze
LC4016H-ALUM	4'0"	5'0"	Aluminum
LC4016H-DR/BRZ	4'0"	5'0"	Dark Bronze

### DROP PLATE MOUNTING

18

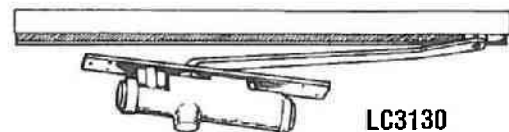


Drop Plate used where top rail is less than 3 1/2" (90MM) or when normal mounting screw locations are impractical.

**LC4010-18 46.00**

### CONCEALED CLOSER

For smoke barrier doors only. Both closer and track are fully concealed. Single lever arm adjusts to locate hold-open at points from 85° to 110° in 3° increments (optional hold-open from 110° to 130°). Electrical connections to track in head frame are also concealed.



**LC3130**

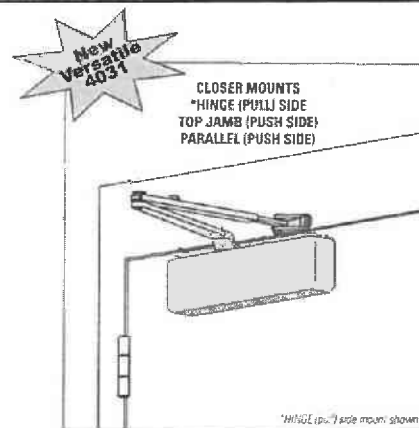
**CALL FOR PRICE AND INFORMATION**

•DOOR CLOSERS  
•Accessories

**4031 SERIES**

For Interior Doors.  
Packed 4 per case.

- Standard new 4030 series closer is shipped with forged regular arm, metal cover and wood/self-tapping machine screw pack.
- Non-sized (1-4)4031 cylinder for exterior doors to 36" (914 mm) and interior doors to 48" (1219 mm).
- Closer mounts hinge side, top jamb, and parallel arm, on either right or left swinging doors.
- Closer meets ADA requirements.
- Standard or optional custom powder coat finish.
- Optional plated finish on metal cover, arm and fasteners.
- Optional SRI primer for installations in corrosive conditions is available with powder coat only.
- The 4030 Series is UL and cUL listed for Self-closing doors without hold-open.
- Tested and certified under ANSI Standard A156.4, grade one.



**REGULAR ARM**

**291<sup>00</sup>** ea.

Code	Exterior or Vestibule Doors	Interior Doors	Finish
LC4031-ALUM	2'2" - 3'0"	2'2" - 4'0"	Aluminum
LC4031-DR/BRZ	2'2" - 3'0"	2'2" - 4'0"	Dark Bronze

**HOLD-OPEN ARM**

**314<sup>00</sup>** ea.

Code	Exterior or Vestibule Doors	Interior Doors	Finish
LC4031H-ALUM	2'2" - 3'0"	2'2" - 4'0"	Aluminum
LC4031H-DR/BRZ	2'2" - 3'0"	2'2" - 4'0"	Dark Bronze

The 4031 is a cast iron, universal closer designed specifically for doors in moderate traffic conditions. This versatile closer compliments the rest of the heavy duty 4000 Series and offers the choice of three mountings and multiple arm options.

- ...Cast Iron
- ...Forged Steel Main Arm
- ...Heat Treated Steel Pinion
- ...All Weather Fluid
- ...UL & cUL Listed

**SUPER SMOOTH®**

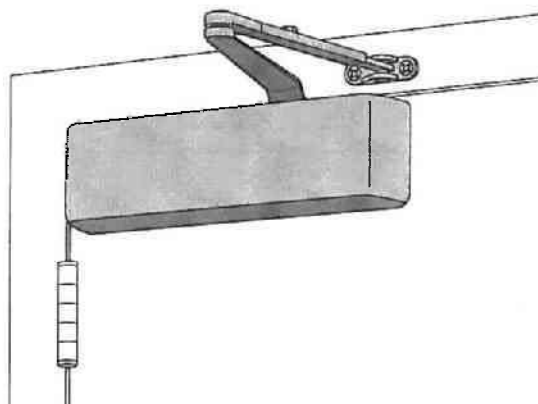
For Interior or Exterior Use.

Non-sized closer, with parallel arm bracket, which adjusts to any size, 2 through 6.

Non-handed and mounts in 4 different ways. Packed 4 per case.

*Features -*

- Adjustable hydraulic back check in advance of 90%.
- Liquid X temperature stable fluid
- Tamper-proof, non-critical regulating screws
- U.L. Listed
- 5 Year Warranty



**REGULAR ARM**

**339<sup>00</sup>** ea.

Code	Exterior or Vestibule Doors	Interior Doors	Finish
LC4041-ALUM	2'0" - 4'0"	2'0" - 5'0"	Aluminum
LC4041-DR/BRZ	2'0" - 4'0"	2'0" - 5'0"	Dark Bronze

**HOLD-OPEN ARM**

**378<sup>00</sup>** ea.

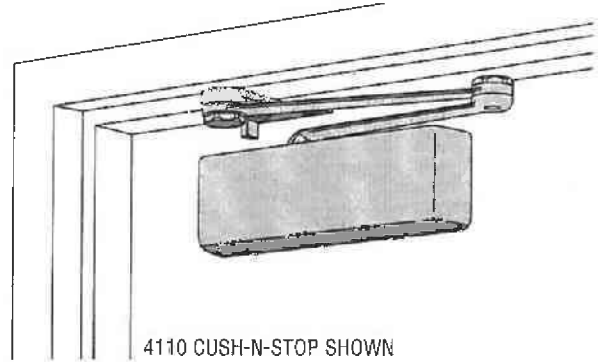
Code	Exterior or Vestibule Doors	Interior Doors	Finish
LC4041H-ALUM	2'0" - 4'0"	2'0" - 5'0"	Aluminum
LC4041H-DR/BRZ	2'0" - 4'0"	2'0" - 5'0"	Dark Bronze

•DOORS CLOSERS  
•Accessories

### 4110 SERIES CUSH-N-STOP

Cush-N-Stop is a 4110 series parallel arm Smoothee with a built-in stop that limits door swing and an optional door holder that holds open at 85°, 90°, 100°, and 110°. One-piece hardware for easy mounting and savings of installation man hours.

For exterior or interior doors where abusive traffic or windy conditions exist, and where floor or wall stops are not practical. *Specify handing when ordering. Packed 4 per box.*



4110 CUSH-N-STOP SHOWN

WITH LIMITING STOP ONLY

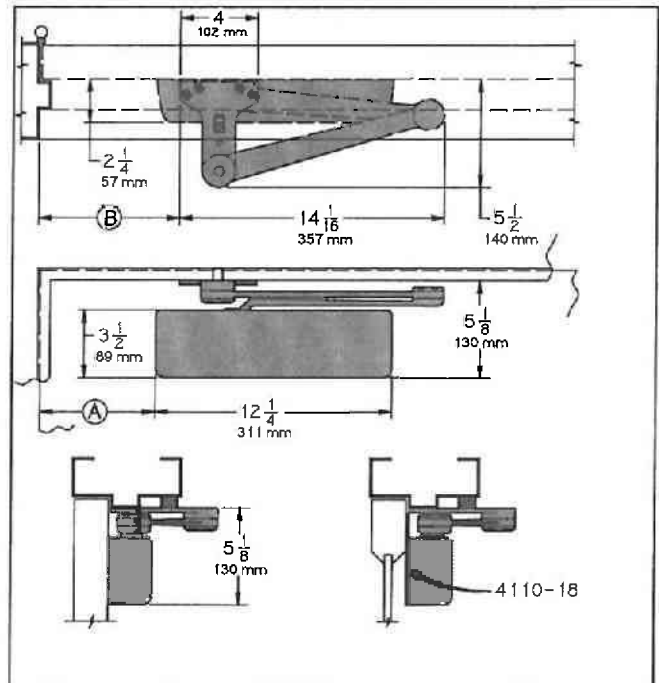
**368<sup>00</sup>** ea.

Code	Maximum Door Width		Finish
	Exterior	Interior	
LC4112-CUSH ALUM		2'2"	Aluminum
LC4112-CUSH DR/BRZ		2'2"	Dark Bronze
LC4113-CUSH ALUM	2'4"	3'0"	Aluminum
LC4113-CUSH DR/BRZ	2'4"	3'0"	Dark Bronze
LC4114-CUSH ALUM	3'0"	3'8"	Aluminum
LC4114-CUSH DR/BRZ	3'0"	3'8"	Dark Bronze
LC4115-CUSH ALUM	3'6"	4'6"	Aluminum
LC4115-CUSH DR/BRZ	3'6"	4'6"	Dark Bronze
LC4116-CUSH ALUM	4'0"	5'0"	Aluminum
LC4116-CUSH DR/BRZ	4'0"	5'0"	Dark Bronze

WITH LIMITING AND HOLD-OPEN ARM

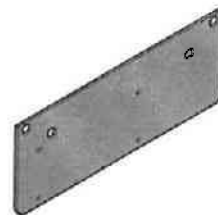
**416<sup>00</sup>** ea.

Code	Maximum Door Width		Finish
	Exterior	Interior	
LC4112H-CUSH ALUM		2'2"	Aluminum
LC4112H-CUSH DR/BRZ		2'2"	Dark Bronze
LC4113H-CUSH ALUM	2'4"	3'0"	Aluminum
LC4113H-CUSH DR/BRZ	2'4"	3'0"	Dark Bronze
LC4114H-CUSH ALUM	3'0"	2'8"	Aluminum
LC4114H-CUSH DR/BRZ	3'0"	3'8"	Dark Bronze
LC4115H-CUSH ALUM	3'6"	4'6"	Aluminum
LC4115H-CUSH DR/BRZ	3'6"	4'6"	Dark Bronze
LC4116H-CUSH ALUM	4'0"	5'0"	Aluminum
LC4116H-CUSH DR/BRZ	4'0"	5'0"	Dark Bronze



### DROP PLATE

18

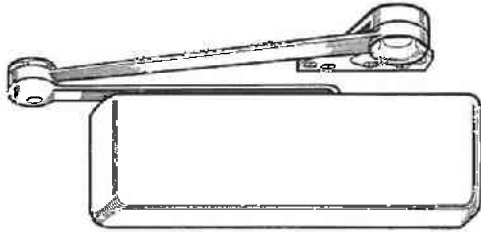


With top rails narrow than 5 5/8" (145 MM), 4110-Cush 18 Drop Plate must be used.

**LC4110 CUSH-18**  
**46.00**

•DOOR CLOSERS  
 •Accessories

**4110 SERIES**



**4110**

Mounts on the stop face(push side) of exterior or interior doors. Solid forged parallel arms fold to a parallel position under the head frame. Ideal for school doors.

*Specify handling when ordering. Packed 4 per case.*

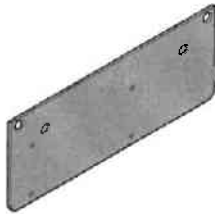
**REGULAR ARM** **332<sup>00</sup>** ea.

Code	Maximum Door Width		Finish
	Exterior	Interior	
LC4111-ALUM	3'6"	4'6"	Aluminum
LC4111-DR/BRZ	3'6"	4'6"	Dark Bronze
LC4112-ALUM		2'2"	Aluminum
LC4112-DR/BRZ		2'2"	Dark Bronze
LC4113-ALUM	2'2"	3'0"	Aluminum
LC4113-DR/BRZ	2'2"	3'0"	Dark Bronze
LC4114-ALUM	3'0"	3'8"	Aluminum
LC4114-DR/BRZ	3'0"	3'8"	Dark Bronze
LC4115-ALUM	3'6"	4'6"	Aluminum
LC4115-DR/BRZ	3'6"	4'6"	Dark Bronze
LC4116-ALUM	4'0"	5'0"	Aluminum
LC4116-DR/BRZ	4'0"	5'0"	Dark Bronze

4111 is adjustable Size 1 thru 5

**DROP PLATE**

**18**



With top rails narrower than 5 5/8" (145MM), 4110-18 Drop Plate must be used.

**LC4110-18**  
**43.00**

**HOLD-OPEN ARM** **368<sup>00</sup>** ea.

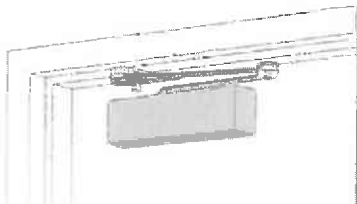
Code	Maximum Door Width		Finish
	Exterior	Interior	
LC4111H-ALUM	3'6"	4'6"	Aluminum
LC4111H-DR/BRZ	3'6"	4'6"	Dark Bronze
LC4112H-ALUM		2'2"	Aluminum
LC4112H-DR/BRZ		2'2"	Dark Bronze
LC4113H-ALUM	2'2"	3'0"	Aluminum
LC4113H-DR/BRZ	2'2"	3'0"	Dark Bronze
LC4114H-ALUM	3'0"	3'8"	Aluminum
LC4114H-DR/BRZ	3'0"	3'8"	Dark Bronze
LC4115H-ALUM	3'6"	4'6"	Aluminum
LC4115H-DR/BRZ	3'6"	4'6"	Dark Bronze
LC4116H-ALUM	4'0"	5'0"	Aluminum
LC4116H-DR/BRZ	4'0"	5'0"	Dark Bronze

4111 is adjustable Size 1 thru 5

**4210 SMOOTHIE<sup>®</sup>SERIES**

The 4210 SMOOTHIE<sup>®</sup>SERIES is a high security closer with special components to minimize tampering and vandalism. Forged steel parallel arms and heavy gauge metal security covers are designed for correctional, vandal prone institutional and other high traffic applications.

- Standard 4210 series closer shipped with extra duty arm (non-hold-open), metal security cover, and Torx<sup>®</sup> Machine Screw pack.
- Sized cylinders for interior doors to 5'0" and exterior doors to 4'0".
- Closer mounts parallel arm, specify right or left swinging door.



*Specify handling when ordering. Packed 4 per case.*

**REGULAR ARM** **385<sup>00</sup>** ea.

Code	Maximum Door Width		Finish
	Exterior	Interior	
LC4211-ALUM	3'6"	4'6"	Aluminum
LC4213-ALUM	2'6"	3'2"	Aluminum
LC4215-ALUM	3'6"	4'6"	Aluminum

**CUSH ARM** **421<sup>00</sup>** ea.

Code	Maximum Door Width		Finish
	Exterior	Interior	
LC4215CUSH-ALUM	3'6"	4'6"	Aluminum