

- DOOR LOCKS
- DRAWER LOCKS

CABINET DOOR LOCK

National Lock Compatible Keyway • Rekeyable Pin Tumbler

Material: Solid Brass Cylinder, Pressure Cast Case, Steel Backplate Strike included. Specify KA or KD. Packed 10 per box.

Features—

- 4-pin Tumbler
- Rekeyable to 5-pin system
- Brass pins - .101



Code	Barrel	Finish	Price
OL100DR-7/8-26D	7/8"	SATIN CHROME	26.20
OL100DR-7/8-US4	7/8"	SATIN BRASS	26.20
OL100DR-1 3/8-26D	1 3/8"	SATIN CHROME	26.20
OL100DR-1 3/8-US4	1 3/8"	SATIN BRASS	26.20

CABINET DOOR LOCK

CCL Products Compatible Keyway • Rekeyable

Material: Solid Brass Cylinder, Pressure Cast Case, Steel Backplate Strike included. Specify KA or KD. Packed 10 per box.

Features—

- 5-pin Tumbler
- Rekeyable to 6-pin system
- Brass pins -.095



Code	Barrel	Finish	Price
OL500DR-7/8-26D	7/8"	SATIN CHROME	33.60
OL500DR-7/8-US4	7/8"	SATIN BRASS	33.60
OL500DR-1 3/8-26D	1 3/8"	SATIN CHROME	33.60
OL500DR-1 3/8-US4	1 3/8"	SATIN BRASS	33.60

DRAWER LOCK

National Lock Compatible Keyway • Rekeyable Pin Tumbler

Material: Solid Brass Cylinder, Pressure Cast Case, Steel Backplate Strike included. Specify KA or KD. Packed 10 per box.

Features—

- 4-pin Tumbler
- Rekeyable to 5-pin system
- Brass pins -.101



Code	Barrel	Finish	Price
OL200DW-7/8-26D	7/8"	SATIN CHROME	26.20
OL200DW-7/8-US4	7/8"	SATIN BRASS	26.20
OL200DW-1 3/8-26D	1 3/8"	SATIN CHROME	26.20
OL200DW-1 3/8-US4	1 3/8"	SATIN BRASS	26.20

DRAWER LOCK

CCL Products Compatible Keyway • Rekeyable

Material: Solid Brass Cylinder, Pressure Cast Case, Steel Backplate Strike included. Specify KA or KD. Packed 10 per box.

Features—

- 5-pin Tumbler
- Rekeyable to 6-pin system
- Brass pins -.095



Code	Barrel	Finish	Price
OL600DW-7/8-26D	7/8"	SATIN CHROME	33.60
OL600DW-7/8-US4	7/8"	SATIN BRASS	33.60
OL600DW-1 3/8-26D	1 3/8"	SATIN CHROME	33.60
OL600DW-1 3/8-US4	1 3/8"	SATIN BRASS	33.60

DIAMOND BACK DRAWER LOCK

National Lock/CCL Security Products Compatible Keyway

Rekeyable Pin Tumbler

Material: Solid Brass Cylinder, Pressure Cast Case, Steel Backplate Strike included. Specify KA or KD. Packed 10 per box.

Features—

- 4-pin 'National' style- #N078
- 5-pin 'CCL' style -#R078



Code	Barrel	Finish	Price
OLN078-26D	1 1/8"	SATIN CHROME	21.80
OLN078-US4	1 1/8"	SATIN BRASS	21.80
OLR078-26D	1"	SATIN CHROME	25.40
OLR078-US4	1"	SATIN BRASS	25.40
OLN078R or L-US4	1 1/8"	SATIN BRASS	21.80
OLN078R or L-US26D	1 1/8"	SATIN CHROME	21.80
OLN078R or L-US4	1 3/8"	SATIN BRASS	23.80
OLN078R or L-US26D	1 3/8"	SATIN CHROME	23.80

• CAM LOCKS
• SLIDING DOOR LOCKS

• CABINET LOCKS
• Commercial • Door/Drawer

CAM LOCK

National Lock Compatible Keyway • Rekeyable Pin Tumbler

Material: Die Cast Body, Steel Cams

Includes: 1" diameter face, anti-rotation plate, 1 straight and 1 bent cam work in all locking positions. Specify KA or KD. Packed 10 per box.

Features—

- 4-pin Tumbler
- Rekeyable to 5-pin system
- Brass pins -.101



Code	Cyl. Length	Finish	Price
OLDCN1-26D	1 1/16"	SATIN CHROME	19.80
OLDCN1-US3	1 1/16"	POLISHED BRASS	19.80
OLDCN2-26D	1 3/16"	SATIN CHROME	19.80
OLDCN2-US3	1 3/16"	POLISHED BRASS	19.80
OLDCN3-26D	1 7/16"	SATIN CHROME	19.80
OLDCN3-US3	1 7/16"	POLISHED BRASS	19.80
OLDCN4-26D	1 3/4"	SATIN CHROME	19.80
OLDCN4-US3	1 3/4"	POLISHED BRASS	19.80

CAM LOCK

CCI Security Products Compatible Keyway • Rekeyable Pin Tumbler

Material: Die Cast Body, Steel Cams

Includes: 1" diameter face, anti-rotation plate, 1 straight and 1 bent cam work in all locking positions. Specify KA or KD. Packed 10 per box.

Features—

- 5-pin Tumbler
- Brass pins-.095



Code	Cyl. Length	Finish	Price
OLDCR1-26D	1 1/16"	SATIN CHROME	25.00
OLDCR1-US3	1 1/16"	POLISHED BRASS	25.00
OLDCR2-26D	1 3/16"	SATIN CHROME	25.00
OLDCR2-US3	1 3/16"	POLISHED BRASS	25.00
OLDCR3-26D	1 7/16"	SATIN CHROME	25.00
OLDCR3-US3	1 7/16"	POLISHED BRASS	25.00
OLDCR4-26D	1 3/4"	SATIN CHROME	25.00
OLDCR4-US3	1 3/4"	POLISHED BRASS	25.00

SLIDING DOOR LOCK

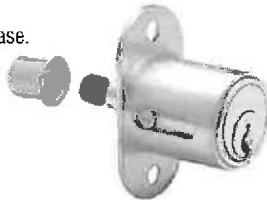
Rekeyable Pin Tumbler

Material: Solid Brass Cylinder, Pressure Cast Case.

Includes: Speed release for easy rekeying. Specify KA or KD. Packed 10 per box.

Features—

- Plunger-like
- 4-pin 'National' style -#300SD (Rekeyable to 5-pin)
- 5-pin 'CCL' style - #400SD



Code	Barrel	Finish	Price
OL300SD-26D	1"	SATIN CHROME	37.00
OL300SD-US3	1"	POLISHED BRASS	37.00
OL400SD-26D	1"	SATIN CHROME	41.00
OL400SD-US3	1"	POLISHED BRASS	44.80

COMMERCIAL CABINET LOCK

Schlage Rekeyable Pin Tumbler

Material: Die cast body, Brass cylinder and plug. *Includes:* 2 spacers, 2 slotted strikes, 2 brass keys, screws. Specify KA or KD. Packed 10 per box.

Features—

- Pinned for 5, Drilled for 6
- .115 dia. Pins



Code	Barrel	Finish	Price
OL700SC-26D	1 1/8"	SATIN CHROME	51.20
OL700SC-US3	1 1/8"	POLISHED BRASS	51.20
OL700SC-26D	1 3/8"	SATIN CHROME	52.50
OL700SC-26D	1 3/8"	POLISHED BRASS	52.50

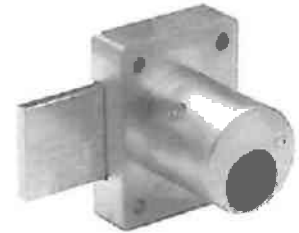
COMMERCIAL CABINET LOCK w/o CYLINDER

ASSA Replacement Schlage Style ; Lazy Cam High Security Cylinder

Material: Die cast body.

Includes: 2 spacers, Olympus cam and cam plate.

Specify KA or KD. Packed 10 per box.



Code	Barrel	Finish	Price
OL700LC/A-26D	1 1/8"	SATIN CHROME	42.70
OL700LC/A-US3	1 1/8"	POLISHED BRASS	42.70

COMMERCIAL DOOR/DRAWER LOCK w/o Cylinder

Interchangeable Core • Field Reversible to Fit

Material: Die cast body. *Includes:* 3 spacers 10-350, 3 slotted strikes, 6 fixing screws. \

Packed 10 per box.

Feature—

- Accepts both 6-pin and 7-pin SFIC



721DR

Code	Barrel	Finish	Price
Door			
OL721DR-26D	1 1/4"	SATIN CHROME	45.00
OL721DR-US3	1 1/4"	POLISHED BRASS	45.00
Drawer			
OL721DW-26D	1 1/4"	SATIN CHROME	45.00
OL721DW-US3	1 1/4"	POLISHED BRASS	45.00

•DRAWER LOCKS
•Commercial

COMMERCIAL DRAWER LOCK

Schlage • Rekeyable Pin Tumbler
Material: Die cast body, Brass cylinder and plug. *Includes:* 2 spacers, 2 bar strike, 2 brass keys, screws.
Specify KA or KD. Packed 10 per box.
Features—
• Pinned for 5, Drilled for 6
• .115 dia. Pins



Code	Barrel	Finish	Price
OL800SC-26D	1 1/8"	SATIN CHROME	51.20
OL800SC-US3	1 1/8"	POLISHED BRASS	51.20
OL800SC-26D	1 3/8"	SATIN CHROME	52.50
OL800SC-US3	1 3/8"	POLISHED BRASS	52.50

COMMERCIAL DRAWER LOCK w/o Cylinder

ASSA Replacement Schlage Style
Lazy Cam High Security Cylinder

Material: Die cast body.
Includes: 2 spacers, 2 bar strikes
Olympus cam and cam plate.
Specify KA or KD,
Packed 10 per box.



Code	Barrel	Finish	Price
OL800LC/A-26D	1 1/8"	SATIN CHROME	42.70
OL800LC/A-US3	1 1/8"	POLISHED BRASS	42.70
OL800LC/M-26D	1 3/8"	SATIN CHROME	44.00
OL800LC/M-US3	1 3/8"	POLISHED BRASS	44.00

IC CORE CAM LOCK

- Lost motion and direct motion
- Includes all parts necessary for both
- Accepts 6 or 7 pin Best style cylinder
- Fits 1 1/8" - 1 3/8" material thickness



Code	Barrel	Finish	Price
OL720LM/DM-26D	1 7/16"	SATIN CHROME	39.00
OL720LM/DM-US4	1 7/16"	SATIN BRASS	39.00

IC CORE SLIDING DOOR LOCK

- Accepts 6 or 7 pin Best style cylinder
- Fits 3/4" - 1 5/8" cylinder



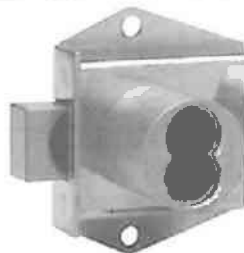
TBM=Thru Bolt Mount

Code	Barrel	Finish	Price
OL722S-26D	3/4"-1 1/2"	SATIN CHROME	73.00
OL722S-US4	3/4"-1 1/2"	SATIN BRASS	73.00
OL722STBM-26D	3/4"-1 1/2"	SATIN CHROME	89.00
OL722STBM-US4	3/4"-1 1/2"	SATIN BRASS	89.00

722S-TBM

IC CORE CABINET LOCK MORTISE DEADBOLT

- Available in door/drawer configuration - specify handing
- Accepts 6 or 7 pin Best style cylinder
- Fits 3/4" - 1 1/8" material thickness



Code	Barrel	Finish	Price
OL725MD-26D	1 1/2"	SATIN CHROME	42.80
OL725MD-US4	1 1/2"	SATIN BRASS	42.80

IC CORE CABINET LOCK MORTISE LATCH

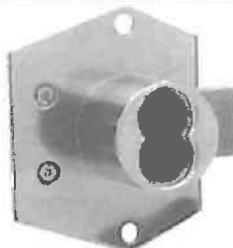
- Available in door/drawer configuration - specify handing
- Accepts 6 or 7 pin Best style cylinder
- Fits 3/4" - 1 1/8" material thickness



Code	Fits Mat.	Finish	Price
OL725ML-26D	1 1/2"	SATIN CHROME	42.80
OL725ML-US4	1 1/2"	SATIN BRASS	42.80

IC RIM DEADBOLT LOCK

- Available Door (LH or RH) and Drawer (VH or IH)
 - Accepts 6 or 7 pin Best style cylinder
 - Barrel length: 1 1/16"
 - Barrel diameter: 1 1/8"
- Includes: 725-1 spacer to fit 6 or 7 pin cores, 725-SP-RD solid rectangular strike, 725-PA plastic actuator to test lock without core.



Code	Barrel	Finish	Price
OL725RD-26D	1 1/16"	SATIN CHROME	42.80
OL725RD-US4	1 1/16"	SATIN BRASS	42.80

IC RIM LATCH LOCK

- Available Door (LH or RH) and Drawer (VH or IH)
 - Accepts 6 or 7 pin Best style cylinder
 - Barrel length: 1 1/16"
 - Barrel diameter: 1 1/8"
- Includes: 725-1 spacer to fit 6 or 7 pin cores, 725-SP-RL solid lip strike, 725-PA plastic actuator to test lock without core.



Code	Fits Mat.	Finish	Price
OL725RL-26D	1 1/2"	SATIN CHROME	42.80
OL725RL-US4	1 1/2"	SATIN BRASS	42.80

**CORBIN/RUSSWIN I.C. CORE
 DOOR/DRAWER LOCK
 RIM DEADBOLT**

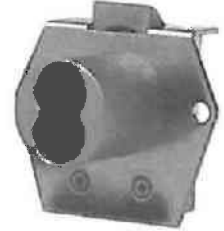
- Available in door/drawer configuration - specify handing
- Accepts 6 or 7 pin Corbin/Russwin IC core cylinder
- Fits 3/4" - 1 1/8" material thickness



Code	Barrel	Finish	Price
OLCR1125RD-26D	1 1/8"	SATIN CHROME	49.00

**CORBIN/RUSSWIN I.C. CORE
 DRAWER LOCK RIM LATCH**

- Available in drawer configuration only
- Accepts 6 or 7 pin Corbin/Russwin IC core cylinder
- Fits 3/4" - 1 1/8" material thickness



Code	Barrel	Finish	Price
OLCR1125RL-26D	1 1/8"	SATIN CHROME	49.00

820SC SERIES - LARGE PIN CAM LOCK

Includes all parts necessary to lock up, down, right or left and in key-retaining or non-key retaining function.

Body: zinc die cast
 Body diameter: 1 1/8"
 Max. Material Thickness: 1 3/8"
 Cylinder: Schlage C keyway



Code	Barrel	Finish	Price
OL820SC-26D	1 23/32"	SATIN CHROME	52.30
OL820SC-US3	1 23/32"	POLISHED BRASS	52.30

**920LM/DM SERIES - LARGE FORMAT SCHLAGE IC CORE
 CAM LOCK**

Includes all parts necessary to lock up, down, right or left and in key-retaining or non-key retaining function.

Body: zinc die cast
 Body diameter: 1 1/8"
 Max. Material Thickness: 1 1/8"
 Cylinder: not included, accepts Schlage large format IC core.



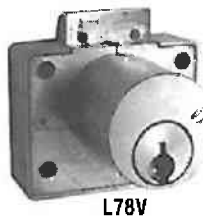
Code	Barrel	Finish	Price
OL920LM/DM-26D	1 7/16"	SATIN CHROME	43.90
OL920LM/DM-US3	1 7/16"	POLISHED BRASS	43.90

**L7080 SERIES - SCHLAGE 'C' DOOR & DRAWER
 CABINET LATCH LOCKS**

Easily rekeyable via patented set-screw cylinder removable mechanism.

Field reversible for all handings..

Body: zinc die cast
 Latch: brass, 3/8" projection
 Barrel length: 1 1/8" or 1 3/8"
 Barrel diameter: 1 1/8"
 Cylinder: Schlage 'C' keyway 6 pin solid brass



L78V

Door Locks

Code	Barrel	Finish	Price
OLL78R-26D	1 1/8"	SATIN CHROME	64.80
OLL78R-US3	1 1/8"	POLISHED BRASS	64.80
OLL78R-26D	1 3/8"	SATIN CHROME	66.10
OLL78R-US3	1 3/8"	POLISHED BRASS	66.10

For left hand, order '78L'

Drawer Locks

Code	Barrel	Finish	Price
OLL78V-26D	1 1/8"	SATIN CHROME	64.80
OLL78V-US3	1 1/8"	POLISHED BRASS	64.80
OLL78V-26D	1 3/8"	SATIN CHROME	66.10
OLL78V-US3	1 3/8"	POLISHED BRASS	66.10

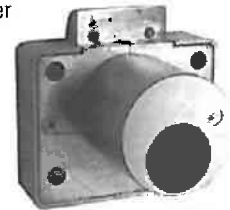
For inverted, order '78I'

**L7080 SERIES - SCHLAGE DOOR & DRAWER
 CABINET LATCH LOCKS** (Inc. all parts necessary to work with Schlage original deadbolt cylinders)

Easily rekeyable via patented set-screw cylinder removable mechanism.

Field reversible for all handings..

Body: zinc die cast
 Latch: brass 3/8" projection
 Barrel length: 1 1/8" or 1 3/8"
 Barrel diameter: 1 1/8"
 Cylinder: no cylinder supplied



L78V

Door Locks

Code	Barrel	Finish	Price
OLL78R-LCA-26D	1 1/8"	SATIN CHROME	56.30
OLL78R-LCA-US3	1 1/8"	POLISHED BRASS	56.30
OLL78R-LCM-26D	1 3/8"	SATIN CHROME	57.60
OLL78R-LCM-US3	1 3/8"	POLISHED BRASS	57.60

For left hand, order '78L'

Drawer Locks

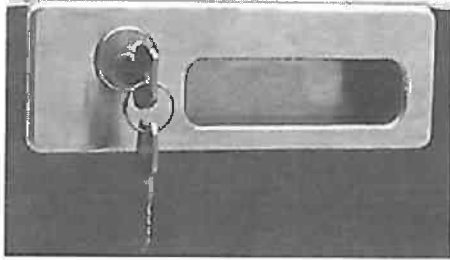
Code	Barrel	Finish	Price
OLL78V-LCA-26D	1 1/8"	SATIN CHROME	56.30
OLL78V-LCA-US3	1 1/8"	POLISHED BRASS	56.30
OLL78V-LCM-26D	1 3/8"	SATIN CHROME	57.60
OLL78V-LCM-US3	1 3/8"	POLISHED BRASS	57.60

For inverted, order '78I'

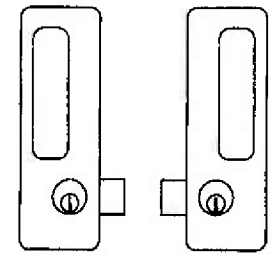
2000 SERIES HANDLES

Meet ADA specs with the Olympus 2000 Handle. These handles become fully ADA compliant when used in combination with optional oval wire pulls.

LOCKS NOT INCLUDED-ORDER SEPARATELY

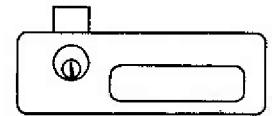


- Cabinet pull and lock all in one unit.
- Small format handles accept 7/8" diameter cabinet locks.
- Compatible for use in ADA applications when used with the optional wire pull.
- The product is installed using through-bolt mounts for added stability and security in particleboard.
- Locks for handles are available keyed alike, keyed different or custom keyed to your specifications.
- Fits door (LH or RH) and drawer applications.
- Available in US3 or 26D finish.
- Matching dummy handles for non-locking door and drawers
- Easy to install - just make the cutout in the door or drawer, insert unit, and use screws to tighten in place.

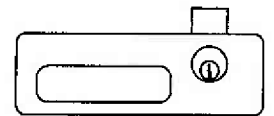


Door - LH

Door - RH



Door - RH (as drawer)



Door - LH (as drawer)

P/N	Description	Lock	Length	Finish	List
OL2001ASSP-LH-26D	Door Handle, LH	100DR	7/8"	Satin Chrome	47.95
OL2001ASSP-RH-26D	Door Handle, RH	100DR	7/8"	Satin Chrome	47.95
OL2002ASSP-LH-26D	Drawer Handle, LH	200DW	7/8"	Satin Chrome	47.95
OL2002ASSP-RH-26D	Drawer Handle, RH	200DW	7/8"	Satin Chrome	47.95
OL2005ASSP-LH-26D	Door Handle, LH	500DR	7/8"	Satin Chrome	47.95
OL2005ASSP-RH-26D	Door Handle, RH	500DR	7/8"	Satin Chrome	47.95
OL2006ASSP-LH-26D	Drawer Handle, LH	600DW	7/8"	Satin Chrome	47.95
OL2006ASSP-RH-26D	Drawer Handle, RH	600DW	7/8"	Satin Chrome	47.95

T37 SERIES T-BOLT LOCK

The Industry's First Easily Rekeyable T-Bolt Lock for Metal Bank Drawers

General Features:

Rekeyable: Working top-slide, patented "cylinder retainer staple" and removable bezel ring make rekeying fast and easy. No more need to pry off faceplates and pin retainer clips.

Retrofits: National C8137

U.S. Patent No: 5,038,589

Material: Zinc die cast lock body

Bolt: Stainless steel

Includes: Brass mounting nut

Barrel diameter: 3/4"

Across flats: 5/8"

Finish: 26D

Packaged: Packed 10 per box

**OLT37
23¹⁵**

Keying Information:

Keyway: National D4291 (4-pin) keyway

Stock KA#: 101, 103, 107, 915 and groups 001 through 030

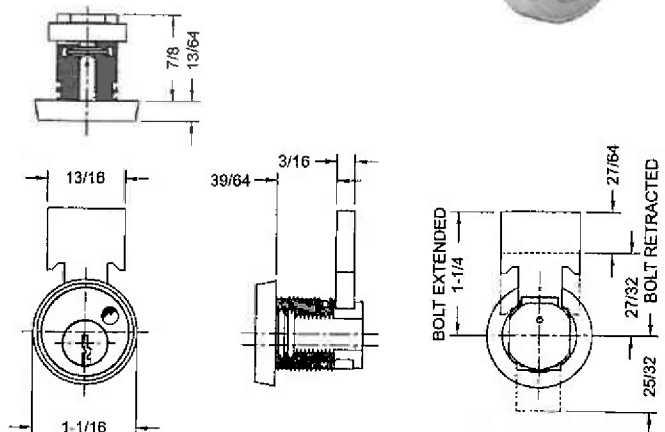
Masterkeying/custom keying available

Keyblank 4-pin: KBN-4-NP

Special Note on Bolts Only:

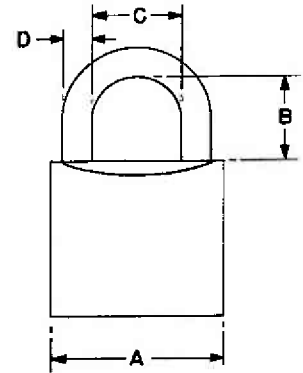
The T37-1 (regular bolt) and T37-2 (long bolt) will not work in the National C8137 locks.

However, the C8137 bolts will work in the T37 locks.



**BRASS PADLOCKS - MOUNTAIN SERIES
BLISTER PACKED**

- Pin Tumbler
- Solid Brass Body
- Hardened Steel Shackle
- Brass Internal Parts
- Heel and Toe Locking
- KD & KA
- All Weather, Indoor/Outdoor
- Includes 3 Keys per Lock



Code	Size	MM	Price
OLBP100	1"	25mm	3.66
OLBP125	1 1/4"	30mm	5.12
OLBP125LS*	1 1/4"	30mm	5.42
OLBP150	1 1/2"	40mm	5.87
OLBP150LS*	1 1/2"	40mm	6.17
OLBP175	1 3/4"	45mm	8.28
OLBP200	2"	50mm	10.99

* Long Shackle

Code	A	Keying	B	C	D	Box Qty	Weight
B100	1"	KD or KA40	1/2"	1/2"	5/32"	10	1.1 lbs.
B125	1 1/4"	KD or KA50	5/8"	5/8"	7/32"	10	2.1 lbs.
B125LS	1 1/4"	KD or KA50	2 1/8"	5/8"	7/32"	10	3.1 lbs.
B150	1 1/2"	KD or KA60	7/8"	7/8"	1/4"	10	3.9 lbs.
B150LS	1 1/2"	KD or KA60	2 1/2"	7/8"	1/4"	10	4.7 lbs.
B175	1 3/4"	KD or KA70	1"	1"	9/32"	5	2.9 lbs.
B200	2"	KD or KA80	1 1/8"	1"	11/32"	5	3.1 lbs.



POWDERED GRAPHITE LUBRICANT

- Keeps locks lubricated and working smoothly
- Guards against sticking and dirt buildup
- Reduces wear and tear

6.5 gram tube

PFL-300
2⁶⁰



LOCK DE-ICER

- Drives water out of lock mechanism
- Thaws frozen locks quickly
- For car/home outdoor locks

1/2 oz. tube

PFLD-1
3⁰⁰



LOCK DE-ICER

- Drives water out of lock mechanism
- Thaws frozen locks quickly
- For car/home outdoor locks

5/8 oz. aerosol

PFLDA-2
4⁵⁹

