

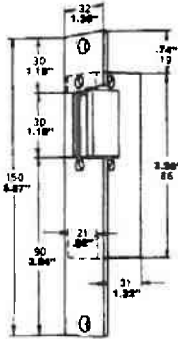
Profile dimensions not to scale.
 Technical data subject to change without notice.

- **ELECTRIC STRIKES** • **RIM EXIT DEVICE**
- **Fail Locked**

15BS SERIES - FAIL LOCKED

FOR WOOD, ALUMINUM and HOLLOW METAL JAMBS

- Heavy duty construction.
- Non-fail safe.
- Reversible, non-handed.

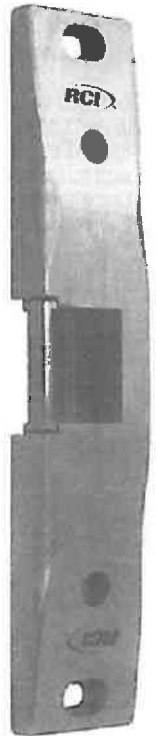


MODEL 0162 RIM EXIT DEVICE

- Compatible with most major exit devices
- Accommodates exit devices w/latch projections (from 1/2" to 3/4")
- No frame cutting required - **Surface Mounted**
- Ensure proper latch alignment with horizontal adjustment up to 1/4" to compensate for door misalignments
- Allen head cap screws for added support and tamper resistance
- Field selectable voltage input - 12 or 24VDC and 12 or 24VAC (even 11 to 16VAC)
- Horizontal solenoid prevents manipulation by vibration
- Conventional keeper design - promotes even load distribution
- Modular plug-in wire connectors
- Selectively brushed stainless steel finish
- Non-handed for right or left hand doors
- 1/16" spacer included
- 5 year limited warranty

RF0162-11-32D 11-16VAC
 RF0162-12-32D 12VAC/VDC
 RF0162-24-32D 24VAC/VDC

425⁰⁰ ea.



Code	Voltage	Finish	Price
RF15BS-01-26D	11/16VAC	Satin Chrome	62.00
RF15BS-08-4	24VAC/DC	Satin Brass	74.00
RF15BS-01-4	11/16VAC	Satin Brass	62.00

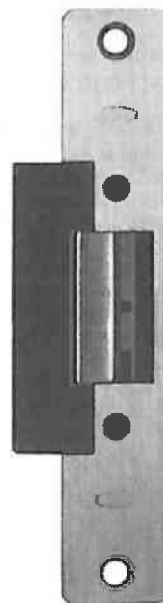
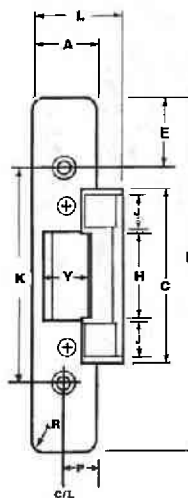
4107 SERIES - FAIL LOCKED

FOR COMMERCIAL AND RESIDENTIAL USE WITH ALUMINUM FRAMES

- Enlarged latch cavity provides compatibility with all lock types, up to 3/4" latch projection (including 3-piece anti-friction).
- Shallow depth accommodates most metal frame profiles with round corners for ease of installation in aluminum frames.
- Use with a wide range of door thickness: 1 3/8" to 2 3/8".
- Prevents damage caused by crossed wires.
- Reduces installation time.
- Design ensures dead locking with all lock types.
- Stainless steel face and mounting plate.

RF4107-01-32D 11-16VAC
 RF4107-05-32D 12VAC/DC
 RF4107-08-32D 24VAC/DC

130⁰⁰ ea.



MEASUREMENT	A	B	C	D	E	F	H	J	K	L	N	R
FRACTIONAL INCHES	1-1/4	6-7/8	3-3/8	7/8	1-3/8	1/8	1-7/8	5/8	4-1/8	1-3/4	1-1/2	5/32
DECIMAL INCHES	1.250	6.875	3.375	.875	1.375	.118	1.875	.610	4.125	1.750	1.500	1.562
METRIC mm.	31.75	174.6	85.7	22.2	34.9	3.0	48.0	15.5	105	44.75	38.2	4.0



AskYourLocksmith.com
Lancaster, Pennsylvania
Phone 717-392-6333

- ELECTRIC STRIKES
- Fail Locked

Profile dimensions not to scale.
Technical data subject to change without notice.

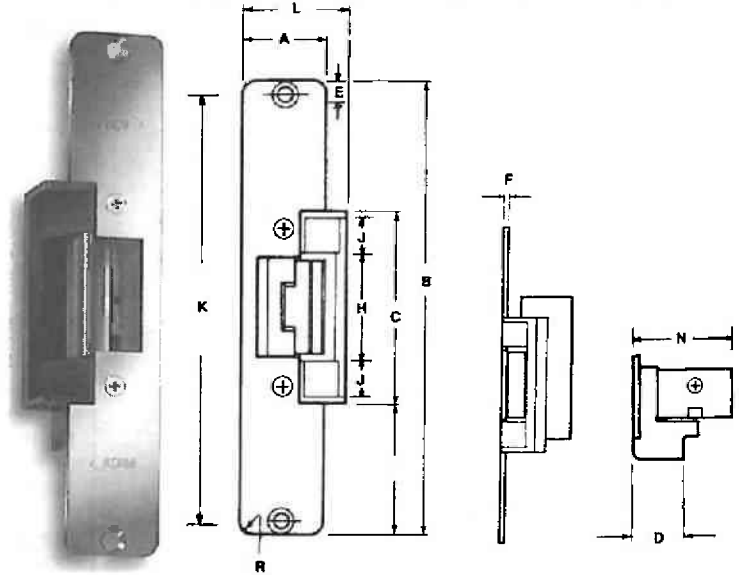
4108 SERIES - FAIL LOCKED

FOR COMMERCIAL AND RESIDENTIAL USE WITH WOOD OR ALUMINUM FRAMES

- Enlarged latch cavity provides compatibility with all lock types, up to 3/4" latch projection (Including 3-piece anti-friction).
- Shallow depth accommodates most metal and wood frame profiles with round corners.
- Use with wide range of door thicknesses: 1 3/8" to 2 3/8".
- Prevents damage caused by crossed wires.
- Reduced installation time.
- Design ensures dead locking with all lock types.
- Stainless steel face and mounting plate.

RF4108-01-32D 11/16VAC
RF4108-05-32D 12V AC/DC
RF4108-08-32D 24V AC/DC

135⁰⁰ ea.



MEASUREMENT	A	B	C	D	E	F	H	J	K	L	N	R
FRACTIONAL INCHES	1-7/16	7-15/16	2-3/8	7/8	1/4	1/8	1-7/8	5/8	7-7/16	1-3/4	1-1/2	5/32
DECIMAL INCHES	1.438	7.938	3.375	875	2.50	118	1.890	610	7.438	1.750	155	
METRIC mm	36.5	201.6	85.7	22.2	6.35	3.0	48.0	15.5	189.0	45.0	38.2	4.0

4114/4314 SERIES

FOR COMMERCIAL AND RESIDENTIAL USE WITH HOLLOW METAL FRAMES

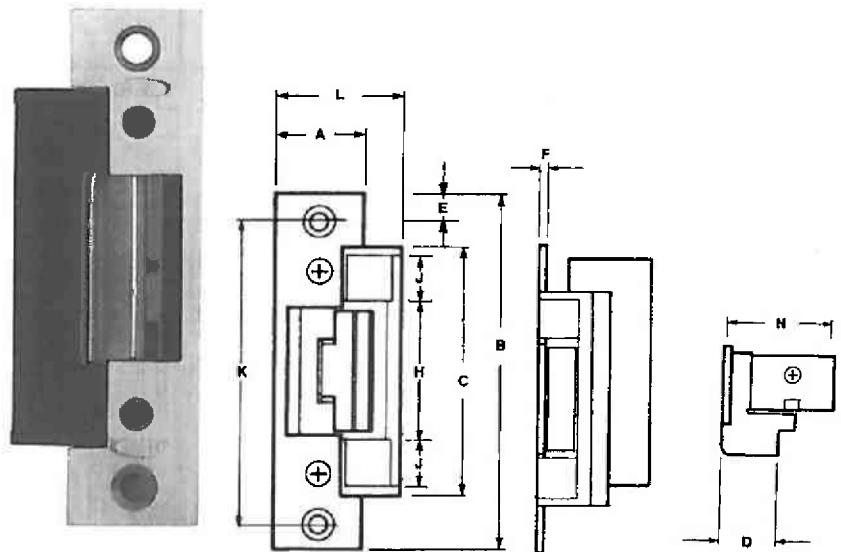
- Enlarged latch cavity provides compatibility with all lock types, up to 3/4" latch projection (including 3-piece anti-friction).
- Shallow depth accommodates most metal frame profiles with square corners for ease of installation in hollow metal frames.
- Use with a wide range of door thicknesses: 1 3/8" to 2 3/8".
- ANSI size, thickness and lip bracket minimized installation time in all standard door frames.
- Design ensures dead locking with all lock types.
- Stainless steel face and mounting plate

FAIL LOCKED
RF4114-01-32D 11/16VAC
RF4114-05-32D 12V AC/DC
RF4114-08-32D 24V AC/DC

125⁰⁰ ea.

FAIL UNLOCKED
RF4314-06-32D 12VDC
RF4314-09-32D 24VDC

135⁰⁰ ea.



MEASUREMENT	A	B	C	D	E	F	H	J	K	L	N
FRACTIONAL INCHES	1-1/4	4-7/8	3-3/8	7/8	3/8	1/8	1-7/8	5/8	4-1/8	1-3/4	1-1/2
DECIMAL INCHES	1.250	4.875	3.375	875	.375	118	1.890	610	4.134	1.765	
METRIC mm	31.75	123.8	85.7	22.2	9.5	3.0	48	15.5	105	44.75	38.2

Profile dimensions not to scale.
 Technical data subject to change without notice.

• **ELECTRIC STRIKES**

- Fail Locked
- Fail Unlocked

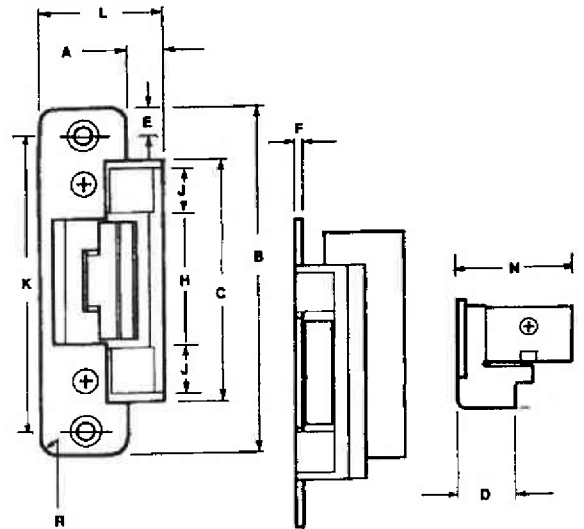
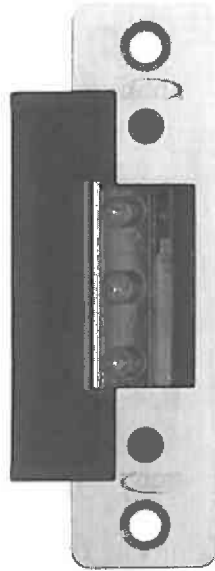
7104 SERIES - FAIL LOCKED

FOR COMMERCIAL AND RESIDENTIAL RETROFIT USE WITH ALUMINUM OR WOOD FRAMES

- Enlarged to accommodate cylindrical and narrow line aluminum door lock types, up to 5/8" projection.
- Shallow depth accommodates most metal frame profiles with round corners for ease of installation in aluminum or wood frames.
- Use with a wide range of door thickness: 1 3/8" x 2 3/8".
- Prevents damage caused by crossed wires.
- ANSI size, thickness and lip bracket minimized installation time in all standard door frames.
- Proper operation is ensured after installation, by 'Horizontal Adjustment'.
- Design ensures dead locking with all lock types.
- Stainless steel face and mounting plate.

- RF7104-01-32D 11/16VAC
- RF7104-05D-32D 12VDC
- RF7104-07-32D 24VAC
- RF7104-08D-32D 24VDC

120⁰⁰ ea.



MEASUREMENT	A	B	C	D	E	F	H	J	K	L	N	R
FRACTIONAL INCHES	1-1/4	4-7/8	3-3/8	7/8	3/8	1/8	1-7/8	5/8	4-1/2	1-3/4	1-1/2	5/32
DECIMAL INCHES	1.250	4.875	3.375	.875	.375	.118	1.875	.610	4.125	1.762	1.50	1.56
METRIC mm	31.75	123.8	85.7	22.2	9.5	3.0	48	15.5	105	44.75	38.2	4.0

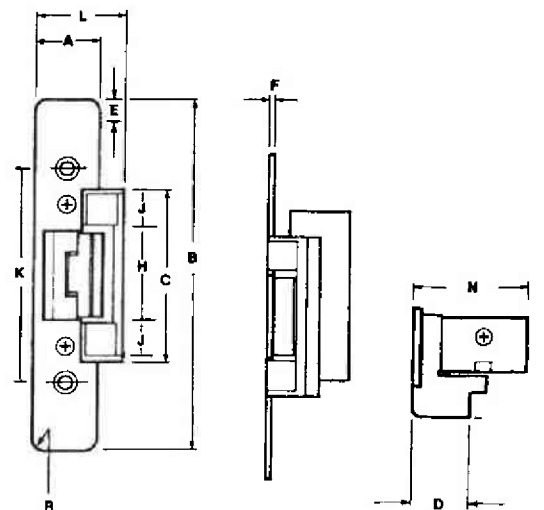
7107 SERIES - FAIL LOCKED

FOR COMMERCIAL AND RESIDENTIAL RETROFIT USE WITH ALUMINUM OR WOOD FRAMES

- Enlarged to accommodate cylindrical and narrow line aluminum door lock types, up to 5/8" projection.
- Shallow depth accommodates most metal and wood frame profiles with round corners for ease of installation in hollow metal frames.
- Use with a wide range of door thicknesses: 1 3/8" to 2 3/8".
- Prevents damage caused by crossed wires.
- Reduced installation time due to proper face/mounting plate thickness and 7 Series chassis matched to fit ANSI lip sizes.
- Proper operation is ensured after installation, by 'Horizontal Adjustment'.
- Design ensures dead locking with all lock types.
- Stainless steel face and mounting plate.

- RR7107-01-32D 11-16VAC
- RF7107-05D-32D 12VDC
- RF7107-07-32 24VAC
- RF7107-08D-32D 24VDC

125⁰⁰ ea.



MEASUREMENT	A	B	C	D	E	F	H	J	K	L	N	R
FRACTIONAL INCHES	1-1/4	6-7/8	3-3/8	7/8	1-3/8	1/8	1-7/8	5/8	4-1/8	1-3/4	1-1/2	5/32
DECIMAL INCHES	1.250	6.875	3.375	.875	1.37	.118	1.875	.610	4.125	1.762	1.50	1.56
METRIC mm	31.75	174.6	85.7	22.2	34.9	3.0	48.0	15.5	105	44.75	38.2	4.0

• **ELECTRIC STRIKES**
• **Fail Locked**

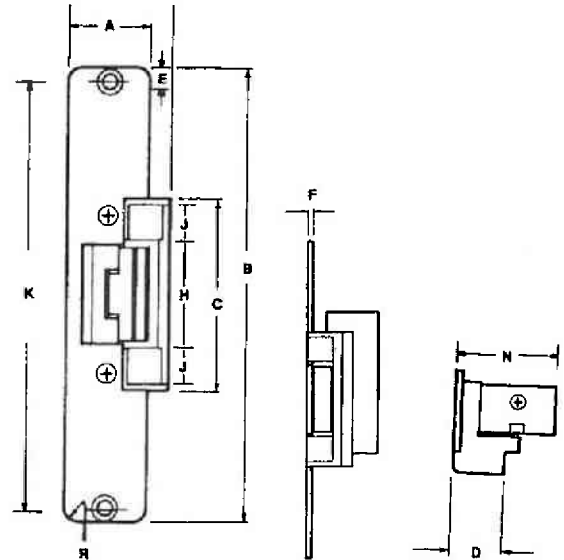
7108 SERIES - FAIL LOCKED

FOR COMMERCIAL AND RESIDENTIAL RETROFIT USE WITH ALUMINUM OR WOOD FRAMES

- Enlarged to accommodate cylindrical and narrow line aluminum door lock types, up to 5/8" projection.
- Shallow depth accommodates most metal and wood frame profiles with round corners for ease of installation.
- Use with a wide range of door thicknesses: 1 3/8" to 2 3/8".
- Prevents damage caused by crossed wires.
- Reduced installation time due to proper face/mounting plate thickness and 7 Series chassis matched to fit ANSI lip sizes.
- Proper operation is ensured after installation, by 'Horizontal Adjustment'.
- Design ensures dead locking with all lock types.
- Stainless steel face and mounting plate.

RF7108-01-32D 11/16VAC
RF7108-05D-32D 12VDC
RF7108-07-32D 24VAC
RF7108-08D-32D 24VDC

130⁰⁰ ea.



MEASUREMENT	A	B	C	D	E	F	H	J	K	L	N	R
FRACTIONAL INCHES	1-3/16	7-15/16	3-3/8	7/8	1/4	1/8	1-7/8	5/8	7-7/16	1-3/4	1-1/2	5/32
DECIMAL INCHES	1.438	7.938	3.375	.875	.250	.118	1.890	.610	7.438	1.750	1.50	.156
METRIC mm.	36.5	201.6	85.7	22.2	6.35	3.0	48.0	15.5	189.0	45.0	38.2	4.0

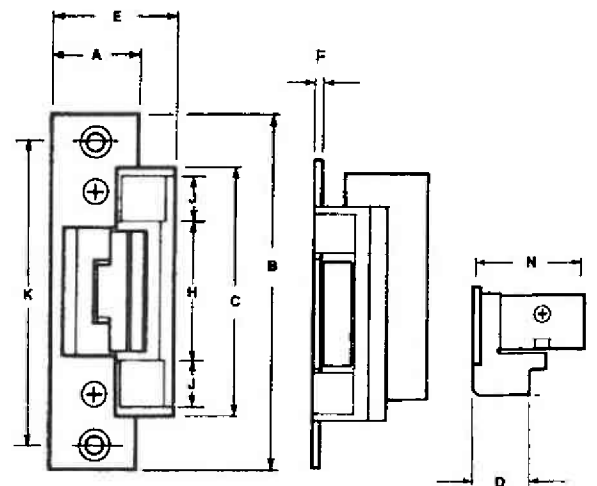
7114 SERIES - FAIL LOCKED

FOR COMMERCIAL AND RESIDENTIAL RETROFIT USE WITH HOLLOW METAL OR WOOD FRAMES

- Enlarged to accommodate cylindrical and narrow line aluminum door lock types, up to 5/8" projection.
- Shallow depth accommodates most metal and wood frame profiles with round corners for ease of installation in hollow metal frames.
- Use with a wide range of door thicknesses: 1 3/8" to 2 3/8".
- Prevents damage caused by crossed wires.
- ANSI size, thickness and lip bracket minimized installation time in all standard door frames.
- Proper operation is ensured after installation, by 'Horizontal Adjustment'.
- Design ensures dead locking with all lock types.
- Stainless steel face and mounting plate.

RF7114-01-32D 11/16VAC
RF7114-05D-32D 12VDC
RF7114-07-32D 24VAC
RF7114-08D-32D 24VDC

120⁰⁰ ea.



MEASUREMENT	A	B	C	D	E	F	H	J	K	L	N
FRACTIONAL INCHES	1-1/4	4-7/8	3-3/8	7/8	3/8	1/8	1-7/8	5/8	4-1/8	1-3/4	1-1/2
DECIMAL INCHES	1.250	4.875	3.375	.875	.375	.118	1.890	.610	4.125	1.750	1.50
METRIC mm.	31.5	123.8	85.7	22.2	9.5	3.0	48.0	15.5	105.0	44.75	38.2



Electromagnetic Locks

8 Series Electromagnetic Locks

Life Safe

Incorporates no latches or pin-like mechanisms, ensuring instant release and conforming to building code standards. Consult your local building inspector for state and federal codes.

Fail Safe

Unlocks instantly when electricity is discontinued by access control equipment, fire panel deactivation or power failure. Consult your local fire marshall for state and federal codes.

Fire Safe

Series 8310, 8310-101, 8310M-101, 8320-101, 8320, 8330, 8340 have to conform to the following certifications: UL/ULC, NFPA, BOCA, UBC, California State Fire Marshall (CSFM) and New York MEA.

Model 8310, 8310-101, 8310M-101 MultiMag® Single Electromagnetic Lock

• Dual voltage 12VDC/24VDC • Adjustable mounting bracket • MOV surge protection • 1500 lbs. holding force (on-the-door test) • Anodized clear aluminum or dark bronze finish • 1^{3/8}"D x 2^{3/8}"W x 10^{1/2}"L surface mounted • Used with single outswinging doors or pairs of doors using split armature kit SA01 (inswinging doors require a "Z" bracket kit), 101 Series for time-delayed egress (contact factory for available options).

Available Options

• DSS - Door Status Sensor • SCS - Security Condition Sensor C/W LED • Combination DSS/LSS and DSS/SCS • Mounting accessories • Special finishes

Model 8320, 8320-101 MultiMag® Double Electromagnetic Lock

• Dual voltage 12VDC/24VDC • Adjustable mounting bracket • MOV surge protection • 1500 lbs. holding force (on-the-door test) • Anodized clear aluminum or dark bronze finish • 1^{3/8}"D x 2^{3/8}"W x 21"L surface mounted • Used with pairs of outswinging doors without a mullion (inswinging doors require 2 "Z" bracket kits), 101 Series for time-delayed egress (contact factory for available options)

Available Options

• 2-DSS - Door Status Sensor • 2-LSS - Lock Status Sensor C/W LED • 2-SCS - Security Condition Sensor C/W LED • Combination 2-DSS/LSS and 2-DSS/SCS • Mounting accessories • Special finishes

Model 8330/8340 MultiMag® Left-hand/Right-hand Housed Electromagnetic Lock

• Dual voltage 12VDC/24VDC • Adjustable mounting bracket • MOV surge protection • 1500 lbs. holding force (on-the-door test) • Anodized clear aluminum or dark bronze finish • 1^{3/8}"D x 2^{3/8}"W x 34^{1/2}"L (8330) (site cutting to 24") surface mounted • 1^{3/8}"D x 2^{3/8}"W x 46^{1/2}"L (8340) (site cutting to 24") surface mounted • Recommended to achieve 2-point locking for higher security applications • Used with single outswinging doors (inswinging doors require a "Z" bracket kit)

Available Options

• DSS - Door Status Sensor • LSS - Lock Status Sensor C/W LED • SCS - Security Condition Sensor C/W LED • Combination DSS/LSS and DSS/SCS • Mounting accessories • Special finishes

Model 8360 Mortise MiniMag® Sliding Electromagnetic Lock

• Dual voltage 12VDC/24VDC • RLS - Remote Lock Status • MOV surge protection • 750 lbs. holding force (on-the-door test) • Used with single sliding doors • Anodized clear aluminum finish • 1"D x 1^{1/2}"W x 9"L mortise mounted

Model 8371 Surface MiniMag® Mini Magnet Electromagnetic Lock

• Dual voltage 12VDC/24VDC • Adjustable mounting bracket • MOV surge • 1"D x 1^{1/8}"W x 9^{3/8}"L surface mounted • Used with single outswinging doors for traffic control (inswinging doors require a "Z" bracket kit)

Available Options

• Mounting accessories • Special finishes • LSS

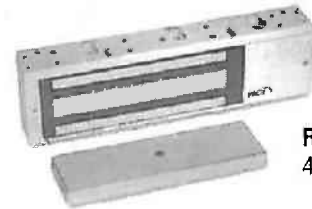
Model 8365 Mortise MicroMag™ Sliding Electromagnetic Lock

• Dual voltage 12VDC/24VDC • MOV surge protection • 300 lbs. holding force (on-the-door test) • Used with single sliding doors • Anodized clear aluminum finish • 1^{3/8}"D x 1^{1/2}"W x 7^{15/16}"L mortise mounted

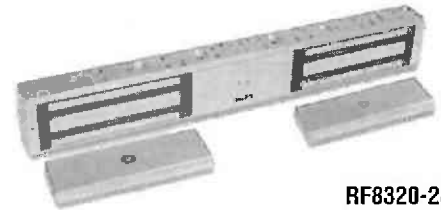
Model 8375 Surface MicroMag™ Electromagnetic Lock

• Dual voltage 12VDC/24VDC • Adjustable mounting bracket • MOV surge protection • 300 lbs. holding force (on-the-door test) • Anodized clear aluminum finish • 1^{3/8}"D x 1^{1/2}"W x 6^{11/16}"L surface mounted • Used with cabinets, drawers, etc. for traffic control (inswinging doors require a "Z" bracket kit)

Note: All specifications are subject to change without notice.



RF8310-28
400.00



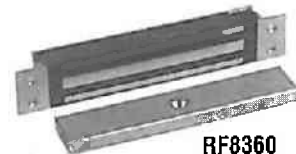
RF8320-28
800.00



RF8330-28 560.00
Left-hand Housed



RF8340-28 600.00
Right-hand Housed



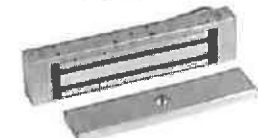
RF8360 310.00



RF8371-28
300.00



RF8365-28
275.00



RF8375-28
210.00

EASY READ MAGSTRIPE™ STAND-ALONE CARD READER

For Up to 1,000 Users

FEATURES:

- Stand-alone system with reader housing the electronics
- Expand existing access control system without wiring back to home panel (using existing system's mag stripe cards).
- Waterproof/corrosion-resistant reader
- Stainless steel read head
- EEPROM memory ensures programming remains intact when unit is not powered
- Includes 12VAC plug-in transformer
- Includes 100 enrollment (shadow) cards used to enroll and delete users (Extra cards available in 250-packs).
- Reader accepts only cards from the deck of the master card which has been programmed. Up to 4 master cards can be programmed to accept a maximum of 1,000 cards.
- Accepts high and low coercivity magnetic stripe cards.
- Satin chrome finish



The Easy Read magstripe card reader is a stand-alone access control system which uses any ANSI standard track 2 magstripe card, such as bank cards, drivers' licenses and credit cards. There's no need to carry an extra card.

This easy-to use, compact reader is amazingly simple to program and can control access of up to 1,000 users. One swipe of the lock mode card permits free access until swiped again.

Fully waterproof, this rugged card reader is designed for the harshest weather conditions. The electronics are enclosed in a hardened, waterproof resin, while the durable read head is stainless steel and rated at over 1,000,000 swipes, making it suitable for most applications.

RF9310MRK6
485⁰⁰

ELECTRICAL CABINET LOCK

For Small Enclosures

- Surface mounted compact electric lock
- Field selectable - fail locked or fail unlocked assy.
- Plated (rust-resistant) self adjusting steel locking pin assembly
- Driver included for terminal wire connection
- 320 lbs. holding force
- Low energy consumption (184ma @ 12VDC, 90ma @ 24VDC)
- Superior heavy duty metal construction
- Black finish

RF3512
12VDC
90⁰⁰



RF3514
24VDC
90⁰⁰

ROCKER SWITCH

- Ideal for desk mount applications
 - Alternate or momentary action
 - Surface mount under desk or counter
 - Smooth action rocker with engraved key symbol
- Beige, 2 3/8" x 2 3/8" x 9/16"*



RF909S-MO Momentary (SPDT) 39.00
RF909S-MA Maintained (SPDT) 39.00

ILLUMINATED REQUEST-TO-EXIT BUTTONS

With Tamperproof Fasteners

- For high traffic areas in commercial, industrial and institutional applications
 - Heavy-duty extruded aluminum 1/4" plate
 - Momentary, alternate or time-delay action
 - Two #6-32 stainless steel tamperproof screws
- Anodized clear aluminum, 3" x 4 3/4"*



RF970MO-12V Momentary (2-SPST) 78.00
RF970MO-24V Momentary (2-SPST) 78.00
RF970MA-12V Maintained Action (2-SPST) 78.00
RF970MA-24V Maintained Action (2-SPST) 78.00
RF970TD-12V Elect. Time Delay (DPDT) 140.00
RF970TD-24V Elect. Time Delay (DPDT) 140.00

EXIT MUSHROOM BUTTON

- Ideal for request-to-exit applications
- 20-gauge stainless steel faceplate
- Fits standard single-gang surface or recessed electrical boxes (optional)
- Hardware kit includes steel machine screws
- Momentary, alternate or time-delay action



RF908-MO Momentary (2-SPST) 95.00
RF908-TD Time Delay (DPDT) 150.00