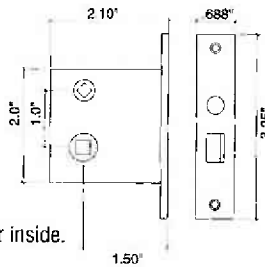




9000 Series Mortise Screen Door Locks

Features: The Latch Case is either precision nodular cast iron (9000) or precision cast brass (9001) for superior strength and durability. Its small size makes mortising easy. Its smooth sides provide easy insertion and allow a snug fit in the door mortise. Interior working parts are powder forged brass. The Brass Front is applied over a steel sub-faceplate on the 9000 and applied over a brass sub-faceplate on the 9001. The Latch Bolt uses dual springs of Stainless Steel to prevent lever sag. The Latch Bolt is field reversible. The Dead Bolt uses a rack and pinion gear drive and a Stainless Steel spring for smooth and trouble free operation.



Operation: Latch Bolt by Knob outside and Lever inside.
 Deadbolt by Oval Turnpiece inside.

Case Size: 2.0" x 2.1" x 0.5"

Hub: 7mm square with two way rotation.

Backset: 1.50"

Spacing: Knob hub to Turnpiece hub, 1.0".

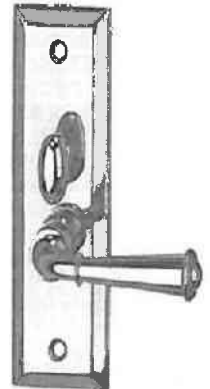
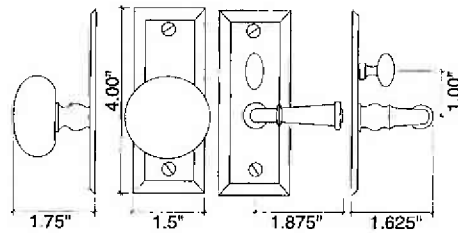
Latch Bolt: 0.50" x 0.30" forged brass furnished in 606 finish. 0.313" throw.

Deadbolt: 0.30" round extruded brass furnished in 606 finish. 0.313" throw.

Strike: Straight Lip Strike furnished in finish matching trim. Extended lip strikes available.

8010 Swathmore

- Handsome Heavy 1.75" Diameter Forged Brass Knob Outside
- Elegant Solid Brass Lever Inside
- Forged Brass Oval Turnpiece Inside
- Heavy Wrought Brass Escutcheons Inside & Outside

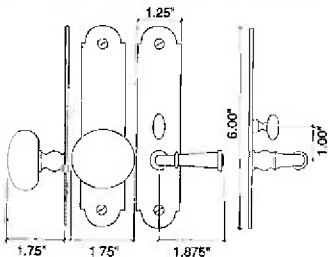


P/N	Finish	Price
VM8010/9000-605	Bright Brass	178.50
VM8010/9000-605E	ETERNA™ Lifelong Finish	215.99
VM8010/9000-613	Dark Oxidized Satin Bronze	205.28
VM8010/9000-619	Satin Nickel	205.28

SCREEN DOOR LOCK SETS

8000 Buckingham

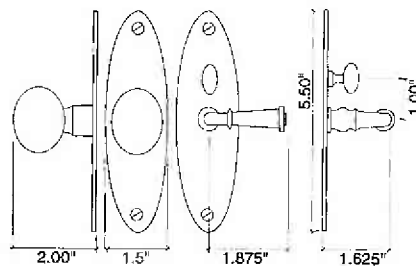
- Handsome Heavy 1.75" Diameter Forged Brass Knob Outside
- Elegant Solid Brass Lever Inside
- Forged Brass Oval Turnpiece Inside
- Heavy Wrought Brass Escutcheons Inside & Outside



P/N	Finish	Price
VM8000/9000-605	Bright Brass	178.50
VM8000/9000-605E	ETERNA™ Lifelong Finish	215.99
VM8000/9000-613	Dark Oxidized Satin Bronze	205.28
VM8000/9000-619	Satin Nickel	205.28

8020 Earlham

- Handsome Heavy 1.75" Diameter Forged Brass Knob Outside
- Elegant Solid Brass Lever Inside
- Forged Brass Oval Turnpiece Inside
- Heavy Wrought Brass Escutcheons Inside & Outside



P/N	Finish	Price
VM8020/9000-605	Bright Brass	178.50
VM8020/9000-605E	ETERNA™ Lifelong Finish	215.99
VM8020/9000-613	Dark Oxidized Satin Bronze	205.28
VM8020/9000-619	Satin Nickel	205.28



AskYourLocksmith.com
Lancaster, Pennsylvania
Phone 717-392-6333

9200 SERIES POCKET DOOR LOCK

Features: This Pocket Door Lock (9200) has been engineered for durability, ease of installation and versatility. The lock body is constructed from heavy duty steel with a zinc dichromate finish. It has the smallest possible case and smooth sides to ease installation. The lock body has several function kits available to convert the lock from turnpiece to mortise cylinder or bit key operation. Lock body has built in edge pull. Also available as dummy lock (9201) with built in edge pull to be used on pairs of doors. The 9200 hook bolt will latch into the 9201 body. The 9201 dummy lock has a dustproof strike with spring loaded cover for latch hole and built in edge pull. It replaces the dustproof strike (92004) in double door applications and provides a clean, neat installation.

Application: For single door applications where a latching feature is desired use 9200 lock. For double meeting doors where a latching feature is desired use the 9200 and 9100. For single and double door applications where a latching feature is not desired use the 9202 mortise edge pull.

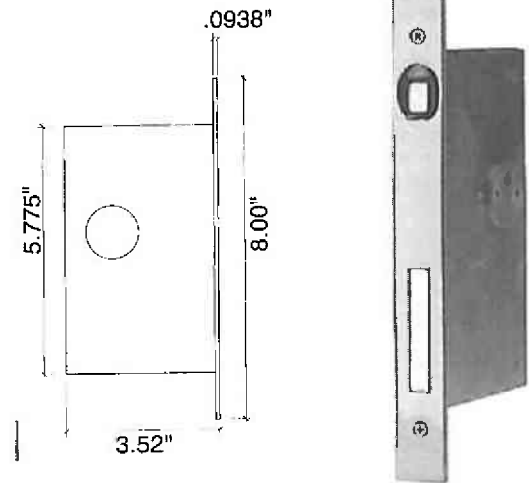
Case Size: 9200: 3.52" x 5.77" X 0.563"
9201: 2.77" x 5.77" x 0.563"

Front: Heavy steel with zinc dichromate finish. 8.00" x 0.875" front is sized to allow use in double door installations with the use of standard mouldings. Heavy wrought brass armored front finished to match trim. Front covers latch installation screws and cylinder tension screw.

Hook Bolt: Brass Hook Bolt is finished in either 605 or 619 finish. Hook Bolt can be finished to match trim for an extra charge.

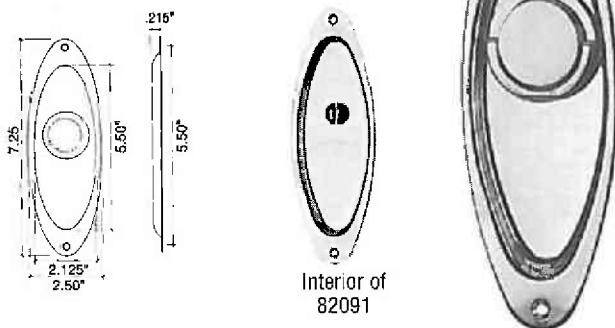
Edge Pull: Brass Edge Pull is released with a push on the retracted hook bolt on 9200 lock. Use center button on 9201. Edge Pull can be finished to match trim for an extra charge.

Backset: 9200: 2.50"; 9201:none



Moreland Oval Plate w/Drop Ring Lock Set

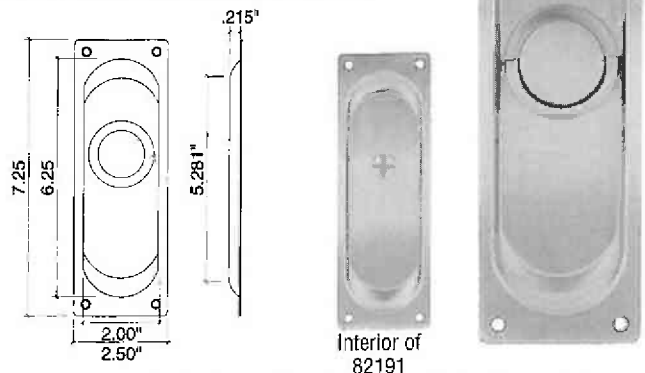
- Heavy Wrought Brass recess pull
- Forged Turnpiece with Backplate and Drop Ring Designed to Eliminate Visible Scratches on the Recessed Plate
- Will Not Interfere with Surrounding Millwork



P/N	Function	Finish	Price
VM82090-605	Passage	Bright Brass	216.22
VM82090-613	Passage	Dark Oxidized Satin Bronze	242.83
VM82090-619	Passage	Satin Nickel	242.83
VM82091-605	Privacy	Bright Brass	199.58
VM82091-613	Privacy	Dark Oxidized Satin Bronze	222.87
VM82091-619	Privacy	Satin Nickel	222.87

Bryn Mawr Rectangular Plate w/Drop Ring Lock Set

- Heavy Wrought Brass recess pull
- Forged Turnpiece with Backplate and Drop Ring Designed to Eliminate Visible Scratches on the Recessed Plate
- Will Not Interfere with Surrounding Millwork



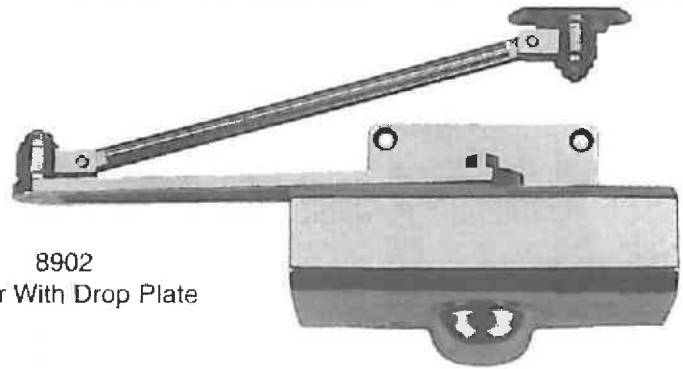
P/N	Function	Finish	Price
VM82190-605	Passage	Bright Brass	216.22
VM82190-613	Passage	Dark Oxidized Satin Bronze	242.83
VM82190-619	Passage	Satin Nickel	242.83
VM82191-605	Privacy	Bright Brass	199.58
VM82191-613	Privacy	Dark Oxidized Satin Bronze	222.87
VM82191-619	Privacy	Satin Nickel	222.87



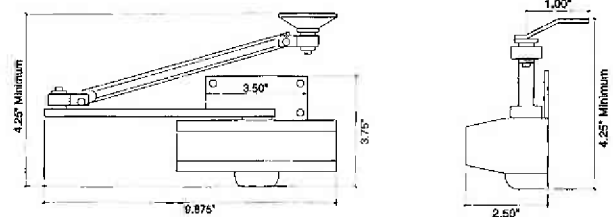
HYDRAULIC DOOR CLOSER w/SOLID BRASS TRIM

- Heavy Gauge Solid Brass Cover
- Solid Forged Brass Arm
- Oil Saturated, Stainless Steel Bushings at all Pivot Points
- 2.50" Projection
- Adjustable Closing Speed
- Parallel Arm, for mount on push side of door, furnished standard
- Keeps in Heating and Air Conditioning
- Eliminates slamming doors
- Drop Plate Included
- For residential, low duty doors, interior or exterior; not to exceed 100 lbs.
- Hold open feature engages when door is opened past 90 degrees. Simply pull door closed to disengage.

8902
Closer With Drop Plate



P/N	Finish	Price
VM8902-605	Bright Brass	204.31
VM8902-605E	ETERNA™ Lifelong Finish	280.00
VM8902-613	Dark Oxidized Satin Bronze	246.12
VM8902-619	Satin Nickel	246.12



SOLID EXTRUDED BRASS FULL MORTISE HINGES

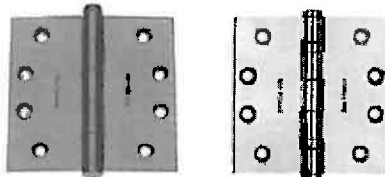
4" x 4" Hinges

Plain Bearing - Standard Weight

P/N	Finish	Price
VM11-4040-605	Bright Brass	61.58
VM11-4040-605E	ETERNA™ Lifelong Finish	91.77
VM11-4040-610	Satin Brass	73.66
VM11-4040-613	Dk Oxidized Satin Bronze	73.66
VM11-4040-619	Satin Nickel	73.66
VM11-4040-625	Bright Chromium	73.66

Ball Bearing - Standard Weight

P/N	Finish	Price
VM11-4040BB-605	Bright Brass	76.23
VM11-4040BB-605E	ETERNA™ Lifelong Finish	110.88
VM11-4040BB-610	Satin Brass	87.78
VM11-4040BB-613	Dk Oxidized Satin Bronze	87.78
VM11-4040BB-619	Satin Nickel	87.78
VM11-4040BB-625	Bright Chromium	87.78



Standard Hinge

Ball Bearing Hinge

- All 11 series hinges are priced and sold as pairs.
- All hinges have template screw hole locations for use with either wood or hollow metal doors and frames.
- All pins are machined from high grade 304 Stainless Steel material.
- All finials are threaded into the barrel of the hinge to prevent the pin from rising.
- All hinges are furnished standard with button finials and solid brass phillips head, type "A" tapping screws.
- #12 Machine Screws available upon request, at additional cost.

- BB series hinges are equipped with two precision machined, anti-friction Stainless Steel ball bearing assemblies

4 1/2" x 4 1/2" Hinges

Plain Bearing - Standard Weight

P/N	Finish	Price
VM11-4545-605	Bright Brass	73.66
VM11-4545-605E	ETERNA™ Lifelong Finish	111.09
VM11-4545-610	Satin Brass	85.73
VM11-4545-613	Dk Oxidized Satin Bronze	85.73
VM11-4545-619	Satin Nickel	85.73
VM11-4545-625	Bright Chromium	85.73

Ball Bearing - Standard Weight

P/N	Finish	Price
VM11-4545BB-605	Bright Brass	87.78
VM11-4545BB-605E	ETERNA™ Lifelong Finish	127.05
VM11-4545BB-610	Satin Brass	99.33
VM11-4545BB-613	Dk Oxidized Satin Bronze	99.33
VM11-4545BB-619	Satin Nickel	99.33
VM11-4545BB-625	Bright Chromium	99.33