





SQUARE REAMING AWL



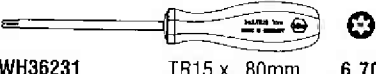
6.0 x 100mm
 Plastic handle, square blade
WH30002 6.28

ROUND SCRATCH AWL



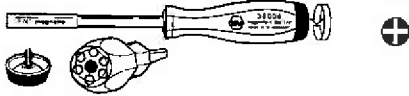
6.0 x 100mm
 Plastic handle, round blade
WH30102 6.16

POWERHANDLE TAMPER PROOF TORX



WH36231 TR15 x 80mm 6.70

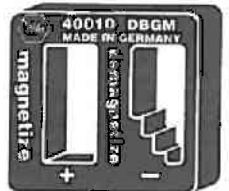
INSULATED BIT SET



Contains 1/4" insulated magnetic driver and slotted/Phillips bits:

4.5 x 25mm, 6.0 x 25mm, 8.0 x 25mm,
 PH#1 x 25mm, PH#2 x 25mm, PH#3 x 25mm
WH38006 18.66

MAGNETIZER/DEMAGNETIZER



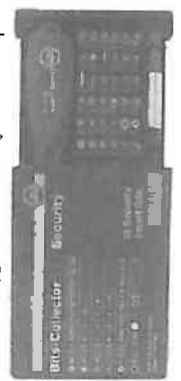
Dimensions: 2.1" x 2.0" x 1.1"
WH40010 5.98

BITS COLLECTOR

Set includes: Handle, 1/4" magnetic bit holder and:


Tamper Resistant TORX:
 TR8, TR10, TR15, TR20, TR25, TR27, TR30, TR40
Triwing: 1, 2, 3, 4
Torq Set: 6, 8, 10
Spanner: 4, 6, 8, 10
Tamper Resistant Hex:
 5/64, 3/32, 7/64, 1/8, 9/64, 5/32
Slotted: 6.5, 8.0mm
Phillips: 1, 2
Pozidriv: 0, 1, 2, 3
Square: 1, 2, 3

WH71990 72.14




SCREWDRIVERS

MICROFINISH SLOTTED MECHANICS



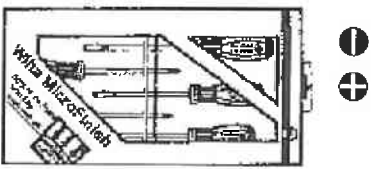
WH52005	4.0mm x 100mm (5/32)	6.38
WH52010	4.0mm x 150mm (5/32)	7.26
WH52020	5.5mm x 125mm (7/32)	7.14
WH52025	5.5mm x 150mm (7/32)	7.74
WH52035	6.5mm x 150mm (1/4)	9.70
WH52040	8.0mm x 150mm (5/16)	12.34
WH52050	10.0mm x 200mm (3/8)	13.92

MICROFINISH PHILLIPS MECHANICS



WH52105	PH #1 x 80mm	7.04
WH52110	PH #1 x 200mm	8.30
WH52115	PH #2 x 100mm	9.32
WH52120	PH #2 x 200mm	10.72
WH52125	PH #3 x 150mm	13.10

5 PIECE SET - SLOTTED & PHILLIPS



Blades are chrome-vanadium-molybdenum-steel, hardened, chrome-plated. WIHA MicroFinish Handle, cellulose acetate, impact resistant, non-slip, oil and grease resistant, black, cadmium free.

Contains: 52005 4.0mm x 100mm
 52020 5.5mm x 125mm
 52040 8.0mm x 150mm
 52105 PH #1 x 80mm
 52115 PH #2 x 100mm


WH52090 42.88

8 PIECE SET - TORX


Contains 8 Piece Precision TORX Blade Set in Indexed Box

Sizes:
 T3, T4, T5, T6, T7, T8, T9, T10, T15, T20
 ESD Safe Conductive Collar
 Locking Anti-Static Handle

WH26987 44.32

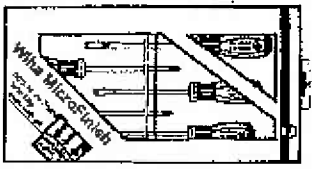


MICROFINISH SLOTTED HEAVY DUTY



WH53310	4.5mm x 90mm	10.14
WH53315	5.5mm x 100mm	11.96
WH53320	6.5mm x 125mm	13.36
WH53325	8.0mm x 150mm	18.54
WH53330	10.0mm x 175mm	18.88

5 PIECE SET - HEAVY DUTY SLOTTED/PHILLIPS




Blades are chrome-vanadium-molybdenum-steel, hardened, chrome-plated. Hex blade extending through handle with striking plate. Hex bolster for wrench. WIHA MicroFinish Handle, cellulose acetate, impact resistant, non-slip, oil and grease resistant, black, cadmium free.

Contains: 53315 5.5mm x 100mm
 53320 6.5mm x 125mm
 53325 8.0mm x 150mm
 53405 PH #1 x 80mm
 53410 PH #2 x 100mm

WH53390 66.76


MICROFINISH 1/4" MAGNETIC BIT HOLDER



Accepts standard 1/4" bits. Stainless steel retainer.

WH52650 16.64

BITS SELECTOR-SLOTTED/PHILLIPS/TORX



Contains 1 each 1/4" x 25mm bits:
 Slotted: 4.5mm, 5.5mm, 6.5mm, 8.0mm
 Phillips: #1, #2, #3
 Torx: T10, T15, T20

WH79243 17.14

BITS SELECTOR-TAMPERPROOF TORX BITS

Contains 1 each 1/4" x 25mm bits:
 Torx: T7, T8, T9, T10, T15, T20, T25, T27, T30, T40 and
 Magnetic Adapter - 1/4" x 2.3"

WH79247 26.78